

CAM
ATTACHMENTS
PRODUCT
CATALOG

TABLE OF CONTENTS

01.

SIDESHIFTERS

8

| | |
|---|----|
| Sideshifters ISO/Class II with sliding pads <i>SHP225</i> | 9 |
| Sideshifters ISO/Class III with sliding pads <i>SHP335</i> | 10 |
| Sideshifters ISO/Class II with sliding pads <i>TRF Class II</i> | 11 |
| Sideshifters ISO/Class III-IV with sliding pads <i>TRF Class III & IV</i> | 12 |
| Load backrests <i>TRF</i> | 13 |

02.

FORK POSITIONERS

14

| | |
|--|----|
| Fork positioners with FEM fork carriers without sideshifter <i>PH</i> | 15 |
| Fork positioners with FEM fork carriers with sideshifter <i>PH-T</i> | 16 |
| Rotating fork positioners with FEM fork carriers 360° <i>PHR</i> | 17 |
| Fork positioners with pin-type forks and integrated sideshifter <i>PJ-T</i> | 18 |
| Fork positioners with bar-mounted FEM fork carriers with integrated sideshifter <i>PJA</i> | 19 |
| High-capacity fork positioners with welded forks <i>PR</i> | 20 |
| Integrated high-capacity fork positioners with welded forks without sideshifter <i>PRI</i> | 21 |
| High-capacity fork positioner with FEM fork carriers without Sideshifter <i>PRA</i> | 22 |
| Wide opening fork positioners with welded forks <i>WF</i> | 23 |
| Wide opening fork positioners with FEM fork carriers <i>WA</i> | 24 |

03.

MULTI-FORK POSITIONERS

26

| | |
|--|----|
| Four-fork positioners for multi-pallets <i>UDPS</i> | 27 |
| Four-fork positioners for multi-pallets <i>UDPSL</i> | 28 |

04.

ROTATORS

30

| | |
|---|----|
| Rotators without sideshifter 360° (U)PRC | 31 |
| Rotators with sideshifter 360° (U)PRC-T | 32 |
| Rotators without sideshifter 360° for bins UPRC-DA | 33 |
| Rotators without sideshifter 360° with hydraulic bin retainer RBC | 34 |
| Plastic container rotators 360° RLC | 35 |
| Plastic container rotators 180° RLCA | 36 |

05.

CLAMPS

38

| | |
|--|----|
| Fork clamps HF-T | 39 |
| Rotating fork clamps 360° HFR | 41 |
| Bale clamps, pulp bale clamps HB-T | 43 |
| Bale clamps, pulp bale clamps 360° HBR | 46 |
| Appliance and carton clamps – articulating pads UHEA-T | 48 |

06.

ROLL CLAMPS

50

| | |
|---|----|
| Rotating paper roll clamps 360° CR | 51 |
| Rotating paper roll clamps - split arms 360° CR-S | 53 |

07.

PUSH-PULLS

56

| | |
|------------------------------|----|
| Push-pulls PP | 57 |
| Push-pulls fork-mounted PP-I | 58 |



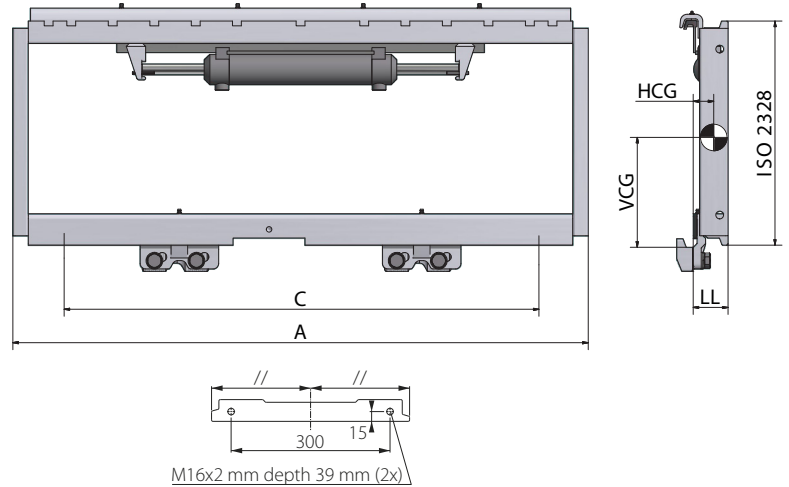
CHAPTER OVERVIEW

| | | | |
|------------|---|-------------------------------|----|
| 1.1 | Sideshifters ISO/Class II with sliding pads | <i>SHP225</i> | 9 |
| 1.2 | Sideshifters ISO/Class III with sliding pads | <i>SHP335</i> | 10 |
| 1.3 | Sideshifters ISO/Class II with sliding pads | <i>TRF Class II</i> | 11 |
| 1.4 | Sideshifters ISO/Class III-IV with sliding pads | <i>TRF Class III & IV</i> | 12 |
| 1.5 | Load backrests | <i>LBR</i> | 13 |

1.1 SIDESHIFTERS ISO/CLASS II WITH SLIDING PADS SHP225

TECHNICAL DETAILS:

- 1 hydraulic function
- Maximum pressure 2,900 psi
- Recommended oil flow 2 gpm
- C - Minimal width lift truck carriage
- Total sideshift stroke 8"
- Drilled for LBR load backrest



| Model | Capacity 24" (600mm) Load Center | A | C | LL | HCG | VCG | Weight | Mounting Class |
|-----------------|--|-------|-------|------|------|------|--------------|----------------|
| SYSHP225.080-02 | 5,500lb (2,500kg) | 31.5" | 31.5" | 2.3" | 0.9" | 8.8" | 93lb (42kg) | II |
| SYSHP225.090-02 | 5,500lb (2,500kg) | 35.4" | 31.5" | 2.3" | 0.9" | 8.8" | 100lb (46kg) | II |
| SYSHP225.092-02 | 5,500lb (2,500kg) | 36.2" | 31.5" | 2.3" | 0.9" | 8.8" | 101lb (46kg) | II |
| SYSHP225.094-02 | 5,500lb (2,500kg) | 37.0" | 31.5" | 2.3" | 0.9" | 8.8" | 103lb (47kg) | II |
| SYSHP225.098-02 | 5,500lb (2,500kg) | 38.6" | 31.5" | 2.3" | 0.9" | 8.8" | 106lb (48kg) | II |
| SYSHP225.100-02 | 5,500lb (2,500kg) | 39.4" | 31.5" | 2.3" | 0.9" | 8.8" | 107lb (49kg) | II |
| SYSHP225.102-02 | 5,500lb (2,500kg) | 40.2" | 31.5" | 2.3" | 0.9" | 8.8" | 109lb (49kg) | II |
| SYSHP225.104-02 | 5,500lb (2,500kg) | 41.0" | 31.5" | 2.3" | 0.9" | 8.8" | 110lb (50kg) | II |
| SYSHP225.107-02 | 5,500lb (2,500kg) | 42.1" | 31.5" | 2.3" | 0.9" | 8.8" | 112lb (51kg) | II |
| SYSHP225.110-02 | 5,500lb (2,500kg) | 43.3" | 31.5" | 2.3" | 0.9" | 8.8" | 115lb (52kg) | II |
| SYSHP225.115-02 | 5,500lb (2,500kg) | 45.3" | 31.5" | 2.3" | 0.9" | 8.8" | 118lb (54kg) | II |
| SYSHP225.125-02 | 5,500lb (2,500kg) | 49.2" | 38.6" | 2.3" | 0.9" | 8.8" | 126lb (57kg) | II |
| SYSHP225.140-02 | 5,500lb (2,500kg) | 55.1" | 38.6" | 2.3" | 0.9" | 8.8" | 148lb (67kg) | II |

AVAILABLE ON REQUEST

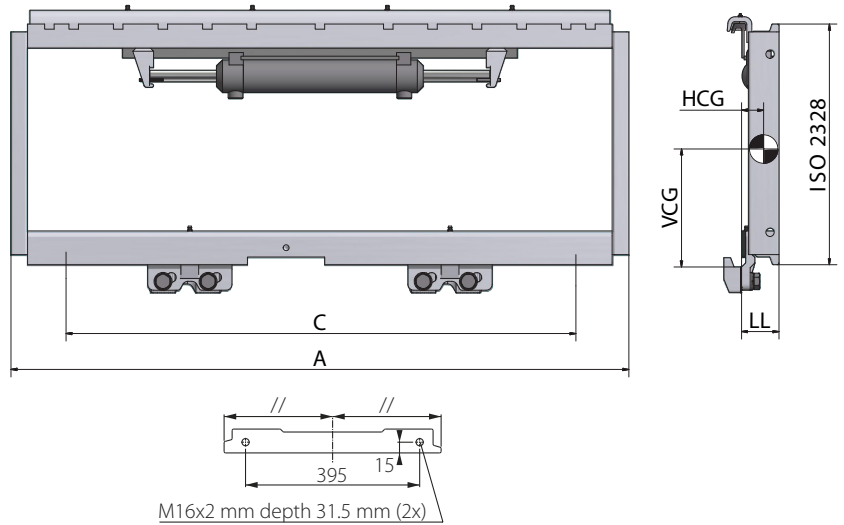
Load backrest

SIDESHIFTERS

1.2 SIDESHIFTERS ISO/GLASS III WITH SLIDING PADS SHP335

TECHNICAL DETAILS:

- 1 hydraulic function
- Maximum pressure 2,900 psi
- Recommended oil flow 3 gpm
- C – Minimal width lift truck carriage
- Total sideshift stroke 8"
- Drilled for LBR load backrest



| Model | Capacity 24" (600mm) Load Center | A | C | LL | HCG | VCG | Weight | Mounting Class |
|-----------------|--|-------|-------|------|------|-------|--------------|----------------|
| SYSHP335.100-04 | 6,500lb (3,000kg) | 39.4" | 38.6" | 2.7" | 1.1" | 11.1" | 146lb (67kg) | III |
| SYSHP335.102-04 | 6,500lb (3,000kg) | 40.2" | 38.6" | 2.7" | 1.1" | 11.1" | 149lb (67kg) | III |
| SYSHP335.107-04 | 6,500lb (3,000kg) | 42.1" | 38.6" | 2.7" | 1.1" | 11.1" | 153lb (70kg) | III |
| SYSHP335.110-04 | 6,500lb (3,000kg) | 43.3" | 38.6" | 2.7" | 1.1" | 11.1" | 156lb (71kg) | III |
| SYSHP335.115-04 | 6,500lb (3,000kg) | 45.3" | 38.6" | 2.7" | 1.1" | 11.1" | 160lb (73kg) | III |
| SYSHP335.120-04 | 6,500lb (3,000kg) | 47.3" | 38.6" | 2.7" | 1.1" | 11.1" | 165lb (75kg) | III |
| SYSHP335.125-04 | 6,500lb (3,000kg) | 49.2" | 38.6" | 2.7" | 1.1" | 11.2" | 170lb (77kg) | III |
| SYSHP335.130-04 | 6,500lb (3,000kg) | 51.2" | 38.6" | 2.7" | 1.1" | 11.2" | 189lb (89kg) | III |
| SYSHP335.135-04 | 6,500lb (3,000kg) | 53.2" | 42.5" | 2.7" | 1.1" | 11.2" | 196lb (89kg) | III |
| SYSHP335.140-04 | 6,500lb (3,000kg) | 55.1" | 42.5" | 2.7" | 1.1" | 11.3" | 198lb (90kg) | III |

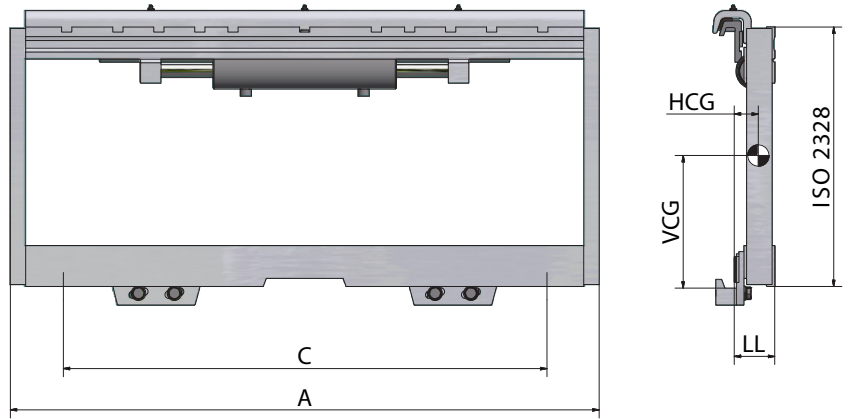
AVAILABLE ON REQUEST

Load backrest

1.3 SIDESHIFTERS ISO/CLASS II WITH SLIDING PADS TRF Class II

TECHNICAL DETAILS:

- 1 hydraulic function
- Maximum pressure 2,900 psi
- Recommended oil flow 2 gpm
- C – Minimal width lift truck carriage
- Total sideshift stroke 8"



| Model | Capacity 24" (600mm) Load Center | A | C | LL | HCG | VCG | Weight | Mounting Class |
|-----------------|--|-------|-------|------|------|------|--------------|----------------|
| SYTRF225.082-02 | 5,500lb (2,500kg) | 31.5" | 27.6" | 2.7" | 1.3" | 9.4" | 95lb (43kg) | II |
| SYTRF225.092-02 | 5,500lb (2,500kg) | 36.2" | 31.5" | 2.7" | 1.4" | 9.3" | 103lb (47kg) | II |
| SYTRF225.093-02 | 5,500lb (2,500kg) | 36.6" | 31.5" | 2.7" | 1.4" | 9.3" | 104lb (47kg) | II |
| SYTRF225.094-02 | 5,500lb (2,500kg) | 37.0" | 31.5" | 2.7" | 1.4" | 9.3" | 106lb (48kg) | II |
| SYTRF225.098-02 | 5,500lb (2,500kg) | 38.6" | 33.5" | 2.7" | 1.4" | 9.3" | 108lb (49kg) | II |
| SYTRF225.100-02 | 5,500lb (2,500kg) | 39.4" | 33.5" | 2.7" | 1.4" | 9.3" | 110lb (50kg) | II |
| SYTRF225.104-02 | 5,500lb (2,500kg) | 41.0" | 33.5" | 2.7" | 1.4" | 9.2" | 114lb (52kg) | II |
| SYTRF225.107-02 | 5,500lb (2,500kg) | 42.1" | 34.2" | 2.7" | 1.4" | 9.2" | 116lb (53kg) | II |
| SYTRF225.110-02 | 5,500lb (2,500kg) | 43.3" | 35.4" | 2.7" | 1.4" | 9.2" | 119lb (54kg) | II |
| SYTRF225.115-02 | 5,500lb (2,500kg) | 45.3" | 35.4" | 2.7" | 1.4" | 9.2" | 123lb (56kg) | II |
| SYTRF225.122-02 | 5,500lb (2,500kg) | 48.3" | 39.4" | 2.7" | 1.4" | 9.0" | 143lb (65kg) | II |
| SYTRF225.140-02 | 5,500lb (2,500kg) | 55.1" | 39.4" | 2.7" | 1.4" | 8.9" | 165lb (75kg) | II |

Options

Bronze lower bearings, Class II

Bronze upper and lower bearings, Class II

AVAILABLE ON REQUEST

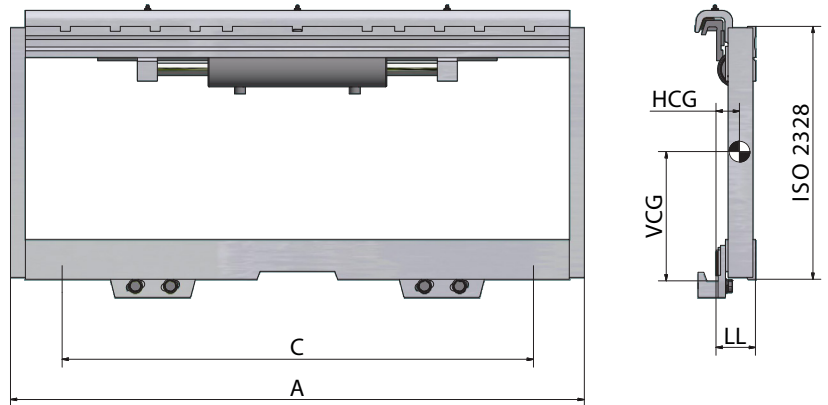
- Sideshifters for reach truck
- Special sideshifters
- Load backrest

SIDESHIFTERS

1.4 SIDESHIFTERS ISO/CLASS III-IV WITH SLIDING PADS TRF Class III & IV

TECHNICAL DETAILS:

- 1 hydraulic function
- Maximum pressure 2,900 psi
- Recommended oil flow 3 gpm
- C – Minimal width lift truck carriage
- Total sideshift stroke 8" - 12"



| Model | Capacity 24" (600mm) Load Center | A | C | LL | HCG | VCG | Weight | Mounting Class |
|-----------------|--|-------|-------|------|------|-------|---------------|----------------|
| SYTRF335.096-04 | 6,500lb (3,000kg) | 37.7" | 35.4" | 3.2" | 1.8" | 11.8" | 185lb (84kg) | III |
| SYTRF335.100-04 | 6,500lb (3,000kg) | 39.3" | 37.4" | 3.2" | 1.8" | 11.8" | 196lb (89kg) | III |
| SYTRF335.102-04 | 6,500lb (3,000kg) | 40.1" | 39.4" | 3.2" | 1.8" | 11.9" | 207lb (94kg) | III |
| SYTRF335.115-04 | 6,500lb (3,000kg) | 45.3" | 39.4" | 3.2" | 1.8" | 11.9" | 218lb (99kg) | III |
| SYTRF335.120-04 | 6,500lb (3,000kg) | 47.3" | 39.4" | 3.2" | 1.8" | 12.0" | 231lb (105kg) | III |
| SYTRF335.150-04 | 6,500lb (3,000kg) | 59.0" | 43.3" | 3.2" | 1.8" | 12.0" | 264lb (120kg) | III |
| SYTRF350.100-04 | 12,000lb (5,500kg) | 39.4" | 35.4" | 3.2" | 1.5" | 11.0" | 253lb (115kg) | III |
| SYTRF350.102-04 | 12,000lb (5,500kg) | 40.1" | 37.4" | 3.2" | 1.5" | 11.0" | 253lb (115kg) | III |
| SYTRF350.115-04 | 12,000lb (5,500kg) | 45.3" | 37.4" | 3.2" | 1.5" | 10.9" | 275lb (125kg) | III |
| SYTRF350.120-04 | 12,000lb (5,500kg) | 47.3" | 39.4" | 3.2" | 1.5" | 10.9" | 297lb (135kg) | III |
| SYTRF350.130-04 | 12,000lb (5,500kg) | 51.2" | 39.4" | 3.2" | 1.5" | 10.9" | 308lb (140kg) | III |
| SYTRF350.150-04 | 12,000lb (5,500kg) | 59.0" | 49.2" | 3.2" | 1.5" | 10.9" | 350lb (159kg) | III |
| SYTRF460.119-04 | 15,000lb (6,500kg) | 46.8" | 41.3" | 3.9" | 2.2" | 14.4" | 496lb (225kg) | IV |
| SYTRF460.150-04 | 15,000lb (6,500kg) | 59.0" | 51.2" | 3.9" | 2.2" | 14.4" | 640lb (290kg) | IV |
| SYTRF460.180-04 | 15,000lb (6,500kg) | 70.9" | 59.1" | 3.9" | 2.2" | 14.4" | 683lb (310kg) | IV |
| SYTRF480.150-04 | 18,000lb (8,000kg) | 59.0" | 51.2" | 3.9" | 2.2" | 13.8" | 695lb (314kg) | IV |
| SYTRF480.180-04 | 18,000lb (8,000kg) | 70.9" | 59.1" | 3.9" | 2.2" | 13.8" | 701lb (318kg) | IV |
| SYTRF480.200-04 | 18,000lb (8,000kg) | 78.8" | 65.0" | 3.9" | 2.2" | 13.8" | 732lb (332kg) | IV |

Options

Bronze lower bearings, Class III or Class IV

Bronze upper and lower bearings, Class III or Class IV

AVAILABLE ON REQUEST

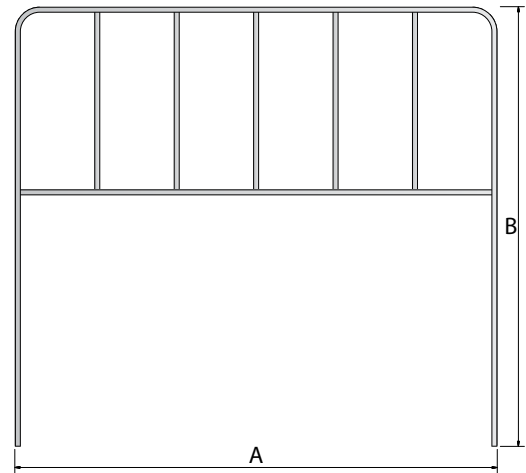
Mounting Class IV 'R' models with rollers

Load backrest

1.5 LOAD BACKRESTS LBR

TECHNICAL DETAILS:

- Fits SH, TRF, PH, PH-T & SHP



| Model | A | B | Holes Per Side | Weight |
|-----------------|-------|-----|----------------|-------------|
| SYLBR225.080-02 | 31.5" | 48" | 2 | 56lb (26kg) |
| SYLBR225.082-02 | 31.5" | 48" | 2 | 57lb (26kg) |
| SYLBR225.092-02 | 36.2" | 48" | 2 | 61lb (28kg) |
| SYLBR225.093-02 | 36.6" | 48" | 2 | 62lb (28kg) |
| SYLBR225.094-02 | 37.0" | 48" | 2 | 63lb (29kg) |
| SYLBR225.098-02 | 38.6" | 48" | 2 | 64lb (29kg) |
| SYLBR225.100-02 | 39.4" | 48" | 2 | 65lb (30kg) |
| SYLBR225.104-02 | 41.0" | 48" | 2 | 66lb (31kg) |
| SYLBR225.107-02 | 42.1" | 48" | 2 | 68lb (32kg) |
| SYLBR225.110-02 | 43.3" | 48" | 2 | 70lb (33kg) |
| SYLBR225.115-02 | 45.3" | 48" | 2 | 73lb (34kg) |
| SYLBR225.122-02 | 48.3" | 48" | 2 | 75lb (35kg) |
| SYLBR225.140-02 | 55.1" | 48" | 2 | 77lb (35kg) |
| SYLBR335.096-04 | 37.7" | 48" | 4 | 77lb (35kg) |
| SYLBR335.100-04 | 39.3" | 48" | 4 | 78lb (36kg) |
| SYLBR335.102-04 | 40.1" | 48" | 4 | 79lb (38kg) |
| SYLBR335.115-04 | 45.3" | 48" | 4 | 84lb (39kg) |

| Model | A | B | Holes Per Side | Weight |
|-----------------|-------|-----|----------------|--------------|
| SYLBR335.115-04 | 45.3" | 48" | 4 | 84lb (39kg) |
| SYLBR335.120-04 | 47.3" | 48" | 4 | 86lb (40kg) |
| SYLBR335.150-04 | 59.0" | 48" | 4 | 95lb (43kg) |
| SYLBR350.100-04 | 39.4" | 48" | 4 | 78lb (35kg) |
| SYLBR350.102-04 | 40.1" | 48" | 4 | 79lb (36kg) |
| SYLBR350.115-04 | 45.3" | 48" | 4 | 84lb (38kg) |
| SYLBR350.120-04 | 47.3" | 48" | 4 | 86lb (39kg) |
| SYLBR350.130-04 | 51.2" | 48" | 4 | 89lb (40kg) |
| SYLBR350.150-04 | 59.0" | 48" | 4 | 95lb (43kg) |
| SYLBR460.119-04 | 46.8" | 48" | 4 | 130lb (59kg) |
| SYLBR460.140-04 | 55.0" | 48" | 4 | 140lb (63kg) |
| SYLBR460.150-04 | 59.0" | 48" | 4 | 143lb (65kg) |
| SYLBR460.180-04 | 70.9" | 48" | 4 | 161lb (73kg) |
| SYLBR480.150-04 | 59.0" | 48" | 4 | 143lb (65kg) |
| SYLBR480.180-04 | 70.9" | 48" | 4 | 161lb (73kg) |
| SYLBR480.200-04 | 78.8" | 48" | 4 | 174lb (79kg) |

MOUNTING BOLTS

| Mounting Class | Part Number |
|----------------|-------------|
| II & III | SYTRF-0900 |
| IV | SYTRF-0950 |

MOUNTING BOLT KITS

| Mounting Class | Part Number |
|----------------|--------------|
| II | SYTRF-0900K2 |
| III | SYTRF-0900K3 |
| IV | SYTRF-0950K |



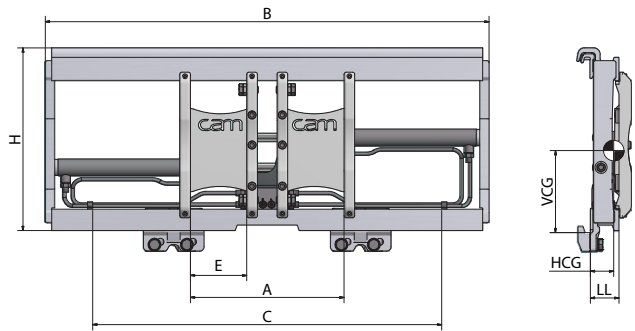
CHAPTER OVERVIEW

| | | | |
|-------------|---|-------------|----|
| 2.1 | Fork positioners with FEM fork carriers without sideshifter | <i>PH</i> | 15 |
| 2.2 | Fork positioners with FEM fork carriers with sideshifter | <i>PH-T</i> | 16 |
| 2.3 | Rotating fork positioners with FEM fork carriers 360° | <i>PHR</i> | 17 |
| 2.4 | Fork positioners with pin-type forks and integrated sideshifter | <i>PJ-T</i> | 18 |
| 2.5 | Fork positioners with bar-mounted FEM fork carriers with integrated sideshifter | <i>PJA</i> | 19 |
| 2.6 | High-capacity fork positioners with welded forks | <i>PR</i> | 20 |
| 2.7 | Integrated high-capacity fork positioners with welded forks without sideshifter | <i>PRI</i> | 21 |
| 2.8 | High-capacity fork positioner with FEM fork carriers without sideshifter | <i>PRA</i> | 22 |
| 2.9 | Wide opening fork positioners with welded forks | <i>WF</i> | 23 |
| 2.10 | Wide opening fork positioners with FEM fork carriers | <i>WA</i> | 24 |

2.1 FORK POSITIONERS WITH FEM FORK CARRIERS WITHOUT SIDESHIFTER PH

TECHNICAL DETAILS:

- 1 hydraulic function
- Maximum pressure 2,600 psi
- Recommended oil flow 4 gpm
- C – Minimal width lift truck carriage
- Without forks
- Technical data without forks
- Without separate sideshifting
- Standard lift truck forks can be easily fitted
- Drilled for CAM LBR load backrest



| Model | Capacity 24" (600mm) Load Center | A Opening Range | B | C | E Min/Max | H | LL | HCG | VCG | Weight | Mounting Class |
|------------|--|-----------------------|-------|-------|--------------|-------|------|------|-------|---------------|-------------------|
| SYPH25.092 | 5,500lb (2,500kg) | 14.2" - 33.5" | 36.2" | 31.5" | 4.0"/5.1" | 17.1" | 2.8" | 1.4" | 7.7" | 145lb (66kg) | II |
| SYPH25.098 | 5,500lb (2,500kg) | 14.2" - 35.8" | 38.6" | 31.5" | 4.0"/5.1" | 17.1" | 2.8" | 1.4" | 7.7" | 152lb (69kg) | II |
| SYPH25.102 | 5,500lb (2,500kg) | 14.2" - 37.4" | 40.2" | 31.5" | 4.0"/5.1" | 17.1" | 2.8" | 1.4" | 7.7" | 158lb (72kg) | II |
| SYPH25.104 | 5,500lb (2,500kg) | 14.2" - 38.2" | 41.0" | 31.5" | 4.0"/5.1" | 17.1" | 2.8" | 1.4" | 7.8" | 160lb (73kg) | II |
| SYPH25.110 | 5,500lb (2,500kg) | 14.2" - 40.6" | 43.3" | 31.5" | 4.0"/5.1" | 17.1" | 2.8" | 1.4" | 7.8" | 169lb (77kg) | II |
| SYPH25.115 | 5,500lb (2,500kg) | 14.2" - 42.5" | 45.3" | 31.5" | 4.0"/5.1" | 17.1" | 2.8" | 1.4" | 7.8" | 174lb (79kg) | II |
| SYPH35.110 | 7,700lb (3,500kg) | 14.2" - 40.5" | 43.5" | 35.4" | 4.0"/5.0" | 21.2" | 3.1" | 1.5" | 12.0" | 249lb (113kg) | III |
| SYPH35.115 | 7,700lb (3,500kg) | 14.2" - 42.5" | 45.0" | 35.4" | 4.0"/5.0" | 21.2" | 3.1" | 1.5" | 12.0" | 258lb (117kg) | III |
| SYPH35.125 | 7,700lb (3,500kg) | 14.2" - 46.5" | 49.0" | 39.3" | 4.0"/5.0" | 21.2" | 3.1" | 1.5" | 12.0" | 275lb (125kg) | III |
| SYPH50.115 | 11,000lb (5,000kg) | 16.2" - 40.2" | 45.3" | 35.4" | 4.7"/6.0" | 21.2" | 3.2" | 1.6" | 11.1" | 328kg (149kg) | III |
| SYPH50.125 | 11,000lb (5,000kg) | 16.2" - 44.0" | 49.2" | 39.4" | 4.7"/6.0" | 21.2" | 3.2" | 1.6" | 11.0" | 348kg (158kg) | III |
| SYPH50.135 | 11,000lb (5,000kg) | 16.2" - 48.0" | 53.2" | 43.3" | 4.7"/6.0" | 21.2" | 3.2" | 1.6" | 11.0" | 370kg (168kg) | III |
| SYPH55.120 | 12,100lb (5,500kg) | 18.1" - 41.3" | 47.2" | 35.4" | 4.7"/6.0" | 26.5" | 4.0" | 2.0" | 14.3" | 491lb (223kg) | IV |
| SYPH55.150 | 12,100lb (5,500kg) | 18.1" - 53.2" | 59.0" | 47.3" | 4.7"/6.0" | 26.5" | 4.0" | 2.0" | 14.3" | 577lb (262kg) | IV |
| SYPH55.170 | 12,100lb (5,500kg) | 18.1" - 61.0" | 66.9" | 55.1" | 4.7"/6.0" | 26.5" | 4.0" | 2.0" | 14.1" | 641lb (291kg) | IV |
| SYPH70.120 | 15,400lb (7,000kg) | 18.1" - 41.3" | 47.2" | 39.4" | 4.7"/6.0" | 26.5" | 4.0" | 2.2" | 14.0" | 561lb (255kg) | IV |
| SYPH70.150 | 15,400lb (7,000kg) | 18.1" - 53.2" | 59.0" | 45.3" | 4.7"/6.0" | 26.5" | 4.0" | 2.2" | 14.0" | 636lb (289kg) | IV |
| SYPH70.180 | 15,400lb (7,000kg) | 18.1" - 63.4" | 66.9" | 51.2" | 4.7"/6.0" | 26.5" | 4.0" | 2.2" | 13.9" | 737lb (335kg) | IV |
| SYPH70.200 | 15,400lb (7,000kg) | 18.1" - 71.3" | 78.7" | 59.0" | 4.7"/6.0" | 26.5" | 4.0" | 2.1" | 13.9" | 836lb (380kg) | IV |
| SYPH70.220 | 15,400lb (7,000kg) | 18.1" - 79.1" | 86.6" | 67.0" | 4.7"/6.0" | 26.5" | 4.0" | 2.1" | 13.9" | 869lb (395kg) | IV |
| SYPH80.120 | 17,600lb (8,000kg) | 18.1" - 41.3" | 47.2" | 39.4" | 4.7"/6.0" | 26.5" | 4.0" | 2.2" | 13.9" | 572lb (260kg) | IV |
| SYPH80.150 | 17,600lb (8,000kg) | 18.1" - 53.2" | 59.0" | 45.3" | 4.7"/6.0" | 26.5" | 4.0" | 2.2" | 13.9" | 645lb (293kg) | IV |
| SYPH80.180 | 17,600lb (8,000kg) | 18.1" - 63.4" | 70.9" | 51.2" | 4.7"/6.0" | 26.5" | 4.0" | 2.2" | 13.8" | 746lb (339kg) | IV |
| SYPH80.200 | 17,600lb (8,000kg) | 18.1" - 71.3" | 78.7" | 59.0" | 4.7"/6.0" | 26.5" | 4.0" | 2.1" | 13.8" | 847lb (385kg) | IV |
| SYPH80.220 | 17,600lb (8,000kg) | 18.1" - 79.0" | 86.6" | 67.0" | 4.7"/6.0" | 26.5" | 4.0" | 2.1" | 13.8" | 891lb (405kg) | IV |

AVAILABLE ON REQUEST

Load backrest

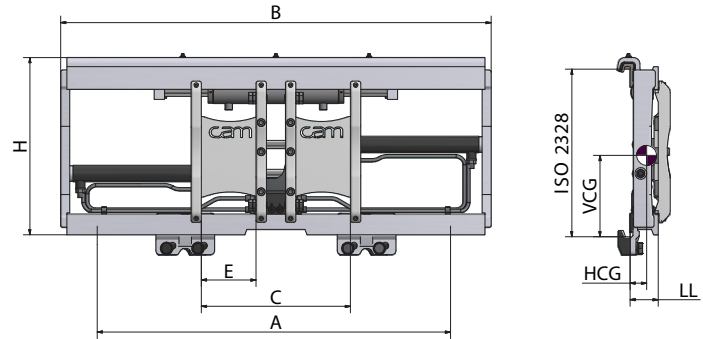
*Attachment not recommended for clamping between forks

FORK POSITIONERS

2.2 FORK POSITIONERS WITH FEM FORK CARRIERS WITH SIDESHIFTER PH-T

TECHNICAL DETAILS:

- 2 hydraulic functions
- Maximum pressure 2,600 psi
- Recommended oil flow 4 gpm
- C – Minimal width lift truck carriage
- Without forks
- Technical data without forks
- With separate sideshifting
- Standard lift truck forks can be easily fitted
- Total sideshift stroke 8"
- Drilled for CAM LBR load backrest



| Model | Capacity 24" (600mm) Load Center | A Opening Range | B | C | E Min/Max | H | LL | HCG | VCG | Weight | Mounting Class |
|-------------|--|-----------------------|-------|-------|--------------|-------|------|-------|-------|---------------|-------------------|
| SYPH25T.092 | 5,500lb (2,500kg) | 14.2" - 33.5" | 36.2" | 31.5" | 4.0"/5.1" | 17.1" | 2.8" | 1.4" | 8.7" | 158lb (72kg) | II |
| SYPH25T.098 | 5,500lb (2,500kg) | 14.2" - 35.8" | 38.6" | 31.5" | 4.0"/5.1" | 17.1" | 2.8" | 1.4" | 8.7" | 165lb (75kg) | II |
| SYPH25T.102 | 5,500lb (2,500kg) | 14.2" - 37.4" | 40.2" | 31.5" | 4.0"/5.1" | 17.1" | 2.8" | 1.4" | 8.7" | 169lb (77kg) | II |
| SYPH25T.104 | 5,500lb (2,500kg) | 14.2" - 38.2" | 41.0" | 31.5" | 4.0"/5.1" | 17.1" | 2.8" | 1.4" | 8.6" | 171lb (78kg) | II |
| SYPH25T.110 | 5,500lb (2,500kg) | 14.2" - 40.6" | 43.3" | 31.5" | 4.0"/5.1" | 17.1" | 2.8" | 1.4" | 8.6" | 180lb (82kg) | II |
| SYPH25T.115 | 5,500lb (2,500kg) | 14.2" - 42.5" | 45.3" | 31.5" | 4.0"/5.1" | 17.1" | 2.8" | 1.4" | 8.5" | 185lb (84kg) | II |
| SYPH35T.110 | 7,700lb (3,500kg) | 14.2" - 40.5" | 43.5" | 35.4" | 4.0"/5.0" | 21.2" | 3.1" | 1.5" | 12.2" | 262lb (119kg) | III |
| SYPH35T.115 | 7,700lb (3,500kg) | 14.2" - 42.5" | 45.0" | 35.4" | 4.0"/5.0" | 21.2" | 3.1" | 1.5" | 12.2" | 271lb (123kg) | III |
| SYPH35T.125 | 7,700lb (3,500kg) | 14.2" - 46.5" | 49.0" | 39.3" | 4.0"/5.0" | 21.2" | 3.1" | 1.5" | 12.2" | 289lb (131kg) | III |
| SYPH50T.115 | 11,000lb (5,000kg) | 16.2" - 40.2" | 45.3" | 35.4" | 4.7"/6.0" | 21.2" | 3.2" | 1.6" | 11.3" | 344lb (156kg) | III |
| SYPH50T.125 | 11,000lb (5,000kg) | 16.2" - 44.0" | 49.2" | 39.4" | 4.7"/6.0" | 21.2" | 3.2" | 1.6" | 11.3" | 363lb (165kg) | III |
| SYPH50T.135 | 11,000lb (5,000kg) | 16.2" - 48.0" | 53.2" | 43.3" | 4.7"/6.0" | 21.2" | 3.2" | 1.65" | 11.3" | 385lb (175kg) | III |
| SYPH55T.120 | 12,100lb (5,500kg) | 18.1" - 41.3" | 47.2" | 43.3" | 4.7"/6.0" | 26.5" | 4.0" | 2.0" | 14.5" | 513lb (233kg) | IV |
| SYPH55T.150 | 12,100lb (5,500kg) | 18.1" - 53.2" | 59.0" | 51.2" | 4.7"/6.0" | 26.5" | 4.0" | 2.0" | 14.5" | 601lb (273kg) | IV |
| SYPH55T.170 | 12,100lb (5,500kg) | 18.1" - 61.0" | 66.9" | 59.0" | 4.7"/6.0" | 26.5" | 4.0" | 2.0" | 14.5" | 667lb (303kg) | IV |
| SYPH70T.120 | 15,400lb (7,000kg) | 18.1" - 41.3" | 47.2" | 43.3" | 4.7"/6.0" | 26.5" | 4.0" | 2.1" | 14.1" | 577lb (262kg) | IV |
| SYPH70T.150 | 15,400lb (7,000kg) | 18.1" - 53.2" | 59.0" | 53.1" | 4.7"/6.0" | 26.5" | 4.0" | 2.1" | 14.1" | 654lb (297kg) | IV |
| SYPH70T.180 | 15,400lb (7,000kg) | 18.1" - 63.4" | 66.9" | 40.6" | 4.7"/6.0" | 26.5" | 4.0" | 2.1" | 14.0" | 755lb (343kg) | IV |
| SYPH70T.200 | 15,400lb (7,000kg) | 18.1" - 71.3" | 78.7" | 59.0" | 4.7"/6.0" | 26.5" | 4.0" | 2.0" | 14.0" | 856lb (389kg) | IV |
| SYPH70T.220 | 15,400lb (7,000kg) | 18.1" - 79.1" | 86.6" | 67.0" | 4.7"/6.0" | 26.5" | 4.0" | 2.0" | 14.0" | 889lb (404kg) | IV |
| SYPH80T.120 | 17,600lb (8,000kg) | 18.1" - 41.3" | 47.2" | 43.3" | 4.7"/6.0" | 26.5" | 4.0" | 2.1" | 14.1" | 588lb (267kg) | IV |
| SYPH80T.150 | 17,600lb (8,000kg) | 18.1" - 53.2" | 59.0" | 53.1" | 4.7"/6.0" | 26.5" | 4.0" | 2.1" | 14.1" | 665lb (302kg) | IV |
| SYPH80T.180 | 17,600lb (8,000kg) | 18.1" - 63.4" | 70.9" | 40.6" | 4.7"/6.0" | 26.5" | 4.0" | 2.1" | 14.1" | 768lb (349kg) | IV |
| SYPH80T.200 | 17,600lb (8,000kg) | 18.1" - 71.3" | 78.7" | 59.0" | 4.7"/6.0" | 26.5" | 4.0" | 2.0" | 14.0" | 872lb (396kg) | IV |
| SYPH80T.220 | 17,600lb (8,000kg) | 18.1" - 79.1" | 86.6" | 67.0" | 4.7"/6.0" | 26.5" | 4.0" | 2.0" | 14.0" | 911lb (414kg) | IV |

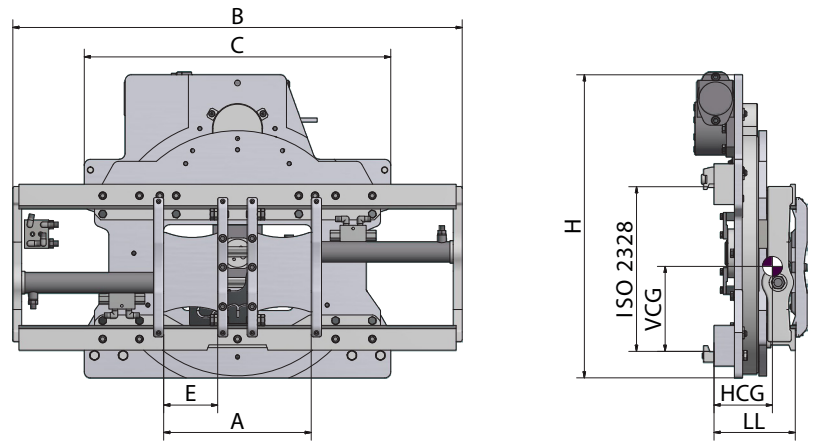
AVAILABLE ON REQUEST

Load backrest

2.3 ROTATING FORK POSITIONERS WITH FEM FORK CARRIERS 360° PHR

TECHNICAL DETAILS:

- C - Minimal width lift truck carriage
- Prices exclude forks
- Technical data without forks
- Without sidershifter
- Maximum advised fork length 1400 mm
- Standard lift truck fork can be easily fitted



| Model | Capacity 24" (600mm) Load Center | A Opening Range | B | C | E Min/Max | H | LL | HCG | VCG | Weight | Mounting Class |
|-------------|--|-----------------------|-------|-------|--------------|-------|------|------|-------|---------------|-------------------|
| SYPHR25.092 | 5,500lb (2,500kg) | 14.2" - 33.5" | 36.2" | 29.5" | 4.0"/4.9" | 26.7" | 7.8" | 3.1" | 11.2" | 568lb (258kg) | II |
| SYPHR25.102 | 5,500lb (2,500kg) | 14.2" - 37.4" | 40.2" | 29.5" | 4.0"/4.9" | 26.7" | 7.8" | 3.2" | 11.1" | 581lb (264kg) | II |
| SYPHR25.110 | 5,500lb (2,500kg) | 14.2" - 40.6" | 43.3" | 29.5" | 4.0"/4.9" | 26.7" | 7.8" | 3.3" | 11.0" | 590lb (268kg) | II |
| SYPHR25.115 | 5,500lb (2,500kg) | 14.2" - 46.5" | 45.3" | 29.5" | 4.0"/4.9" | 26.7" | 7.8" | 3.5" | 10.9" | 627lb (285kg) | II |
| SYPHR35.110 | 6,500lb (3,000kg) | 16.9" - 40.6" | 43.3" | 35.4" | 4.7"/5.1" | 28.9" | 8.4" | 4.3" | 12.2" | 922lb (419kg) | III |
| SYPHR35.115 | 6,500lb (3,000kg) | 16.9" - 42.5" | 45.3" | 35.4" | 4.7"/5.1" | 28.9" | 8.4" | 4.4" | 12.2" | 935lb (425kg) | III |
| SYPHR35.125 | 6,500lb (3,000kg) | 16.9" - 46.5" | 49.2" | 35.4" | 4.7"/5.1" | 28.9" | 8.4" | 4.6" | 12.3" | 979lb (445kg) | III |

Options

Separate sidershifter 4" + 4" for ISO/Class II

Separate sidershifter 4" + 4" for ISO/Class III

Quick-release lower mountings, Class II or Class III

AVAILABLE ON REQUEST

Load backrest

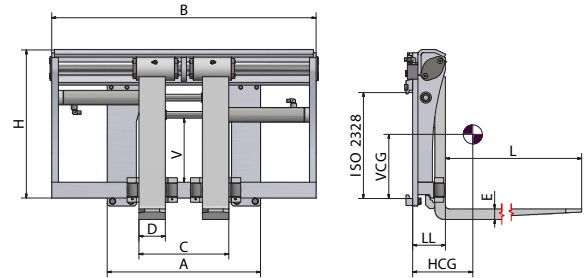
*Attachment not recommended for clamping between forks

FORK POSITIONERS

2.4 FORK POSITIONERS WITH PIN-TYPE FORKS AND INTEGRATED SIDESHIFTER PJ-T

TECHNICAL DETAILS:

- Prices include forks
- Technical data including forks
- Capacity on forks
- C – Minimal width lift truck carriage
- Self-lubricating upper sliding bushes
- With integrated sideshifting
- With chromed rounded upper bars



| Model | Capacity 24" (600mm) Load Center | A Opening Range | B | C | Forks LxDxE | V | H | LL | HCG | VCG | Weight | Mounting Class |
|-------------|--|-----------------------|-------|-------|-----------------|-------|-------|------|------|-------|-----------------|-------------------|
| SYPJ20T.090 | 3,600lb (1,635kg) | 13.4" - 30.7" | 35.4" | 24.4" | 47.2"x4"x1.6" | 8.3" | 22.2" | 4.9" | 8.7" | 7.2" | 495lb (225kg) | II |
| SYPJ20T.095 | 3,600lb (1,635kg) | 13.4" - 32.7" | 37.4" | 24.4" | 47.2"x4"x1.6" | 8.3" | 22.2" | 4.9" | 8.5" | 7.3" | 506lb (230kg) | II |
| SYPJ20T.100 | 3,600lb (1,635kg) | 13.4" - 34.6" | 40.8" | 24.4" | 47.2"x4"x1.6" | 8.3" | 22.2" | 4.9" | 8.7" | 7.8" | 513lb (233kg) | II |
| SYPJ20T.105 | 3,600lb (1,635kg) | 13.4" - 36.6" | 41.3" | 28.3" | 47.2"x4"x1.6" | 8.3" | 22.2" | 4.9" | 8.3" | 7.5" | 519lb (236kg) | II |
| SYPJ20T.110 | 3,600lb (1,635kg) | 13.4" - 38.6" | 43.3" | 28.3" | 47.2"x4"x1.6" | 8.3" | 22.2" | 4.9" | 8.2" | 7.6" | 526lb (239kg) | II |
| SYPJ20T.115 | 3,600lb (1,635kg) | 13.4" - 40.6" | 45.3" | 28.3" | 47.2"x4"x1.6" | 8.3" | 22.2" | 4.9" | 8.0" | 7.7" | 530lb (241kg) | II |
| SYPJ25T.090 | 5,500lb (2,500kg) | 13.4" - 30.7" | 35.4" | 24.4" | 47.2"x4"x1.6" | 8.9" | 22.2" | 4.9" | 9.6" | 6.9" | 484lb (220kg) | II |
| SYPJ25T.095 | 5,500lb (2,500kg) | 13.4" - 32.7" | 37.4" | 24.4" | 47.2"x4"x1.6" | 8.9" | 22.2" | 4.9" | 9.5" | 7.0" | 495lb (225kg) | II |
| SYPJ25T.100 | 5,500lb (2,500kg) | 13.4" - 34.6" | 40.8" | 24.4" | 47.2"x4"x1.6" | 8.9" | 22.2" | 4.9" | 9.4" | 7.0" | 502lb (228kg) | II |
| SYPJ25T.105 | 5,500lb (2,500kg) | 13.4" - 36.6" | 41.3" | 28.3" | 47.2"x4"x1.6" | 8.9" | 22.2" | 4.9" | 9.4" | 7.2" | 506lb (230kg) | II |
| SYPJ25T.110 | 5,500lb (2,500kg) | 13.4" - 38.6" | 43.3" | 28.3" | 47.2"x4"x1.6" | 8.9" | 22.2" | 4.9" | 8.5" | 7.9" | 517lb (235kg) | II |
| SYPJ25T.115 | 5,500lb (2,500kg) | 13.4" - 40.6" | 45.3" | 28.3" | 47.2"x4"x1.6" | 8.9" | 22.2" | 4.9" | 9.1" | 7.4" | 526lb (239kg) | II |
| SYPJ25T.125 | 5,500lb (2,500kg) | 13.4" - 44.5" | 49.2" | 28.3" | 47.2"x4"x1.6" | 8.9" | 22.2" | 4.9" | 9.1" | 7.4" | 541lb (246kg) | II |
| SYPJ25T.130 | 5,500lb (2,500kg) | 13.4" - 46.5" | 51.2" | 28.3" | 47.2"x4"x1.6" | 8.9" | 22.2" | 4.9" | 9.1" | 7.4" | 559lb (254kg) | II |
| SYPJ25T.150 | 5,500lb (2,500kg) | 13.4" - 54.3" | 59.1" | 28.3" | 47.2"x4"x1.6" | 8.9" | 22.2" | 4.9" | 9.0" | 7.5" | 574lb (261kg) | II |
| SYPJ35T.110 | 6,500lb (3,000kg) | 13.4" - 38.6" | 43.3" | 28.3" | 47.2"x4.7"x1.8" | 15.1" | 30.0" | 5.5" | 8.8" | 7.8" | 669lb (304kg) | III |
| SYPJ35T.115 | 6,500lb (3,000kg) | 13.4" - 40.6" | 45.3" | 28.3" | 47.2"x4.7"x1.8" | 15.1" | 30.0" | 5.5" | 8.7" | 7.9" | 678lb (308kg) | III |
| SYPJ35T.120 | 6,500lb (3,000kg) | 13.4" - 42.5" | 47.2" | 28.3" | 47.2"x4.7"x1.8" | 15.1" | 30.0" | 5.5" | 8.5" | 8.0" | 686lb (312kg) | III |
| SYPJ35T.130 | 6,500lb (3,000kg) | 13.4" - 46.5" | 51.2" | 28.3" | 47.2"x4.7"x1.8" | 15.1" | 30.0" | 5.5" | 8.5" | 8.1" | 735lb (334kg) | III |
| SYPJ35T.150 | 6,500lb (3,000kg) | 13.4" - 54.3" | 59.1" | 28.3" | 47.2"x4.7"x1.8" | 15.1" | 30.0" | 5.5" | 8.6" | 9.7" | 733lb (333kg) | III |
| SYPJ50T.115 | 10,000lb (4,600kg) | 15.0" - 40.6" | 45.3" | 33.5" | 47.2"x4.9"x2.0" | 12.4" | 30.0" | 5.9" | 8.6" | 8.2" | 891lb (405kg) | III |
| SYPJ50T.125 | 10,000lb (4,600kg) | 15.0" - 44.5" | 49.2" | 33.5" | 47.2"x4.9"x2.0" | 12.4" | 30.0" | 5.9" | 8.5" | 8.5" | 902lb (410kg) | III |
| SYPJ50T.140 | 10,000lb (4,600kg) | 15.0" - 50.4" | 55.1" | 33.5" | 47.2"x4.9"x2.0" | 12.4" | 30.0" | 5.9" | 8.3" | 8.8" | 926lb (421kg) | III |
| SYPJ50T.150 | 10,000lb (4,600kg) | 15.0" - 54.3" | 59.1" | 33.5" | 47.2"x4.9"x2.0" | 12.4" | 30.0" | 5.9" | 8.2" | 8.8" | 979lb (445kg) | III |
| SYPJ50T.170 | 10,000lb (4,600kg) | 15.0" - 62.2" | 66.9" | 33.5" | 47.2"x4.9"x2.0" | 12.4" | 30.0" | 5.9" | 8.0" | 10.4" | 999lb (454kg) | III |
| SYPJ55T.140 | 11,000lb (5,000kg) | 15.0" - 49.4" | 55.1" | 33.5" | 47.2"x5.9"x2.4" | 15.0" | 31.9" | 6.5" | 8.5" | 10.0" | 1,067lb (485kg) | IV |
| SYPJ55T.150 | 11,000lb (5,000kg) | 15.0" - 53.3" | 59.1" | 33.5" | 47.2"x5.9"x2.4" | 15.0" | 31.9" | 6.5" | 8.2" | 9.9" | 1,096lb (498kg) | IV |
| SYPJ55T.170 | 11,000lb (5,000kg) | 15.0" - 61.2" | 66.9" | 33.5" | 47.2"x5.9"x2.4" | 15.0" | 31.9" | 6.5" | 7.9" | 9.9" | 1,144lb (520kg) | IV |

AVAILABLE ON REQUEST

Load backrest

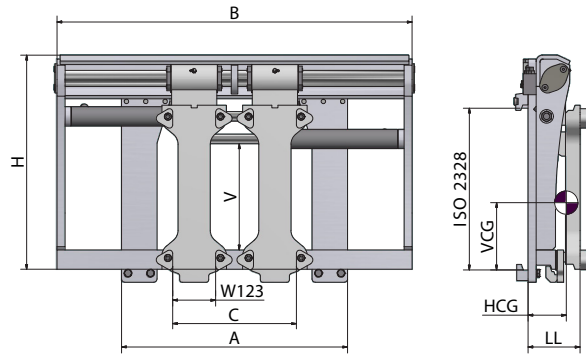
Class B forks

*Attachment not recommended for clamping between forks

2.5 FORK POSITIONERS WITH BAR-MOUNTED FEM FORK CARRIERS WITH INTEGRATED SIDESHIFTER PJA

TECHNICAL DETAILS:

- C – Minimal width lift truck carriage
- Prices exclude forks
- Technical data without forks
- Standard lift truck forks can be easily fitted
- Self-lubricating upper sliding bushes
- With integrated sideshifting
- With chromed round upper bar



| Model | Capacity 24" (600mm) Load Center | A Opening Range | B | C | Fork Width Range E123 | V | H | LL | HCG | VCG | Weight | Mounting Class |
|---------------|--|-----------------------|-------|-------|--------------------------|-------|-------|------|------|-------|---------------|-------------------|
| SYPJA20T.090P | 3,600lb (1,635kg) | 15.0" - 31.1" | 35.4" | 24.4" | 3.9"-4.7"-5.1" | 8.3" | 25.2" | 6.1" | 2.0" | 9.4" | 341lb (155kg) | II |
| SYPJA20T.095P | 3,600lb (1,635kg) | 15.0" - 33.1" | 37.4" | 24.4" | 3.9"-4.7"-5.1" | 8.3" | 25.2" | 6.1" | 2.0" | 9.4" | 350lb (159kg) | II |
| SYPJA20T.10PP | 3,600lb (1,635kg) | 15.0" - 35.0" | 39.4" | 24.4" | 3.9"-4.7"-5.1" | 8.3" | 25.2" | 6.1" | 1.9" | 9.5" | 354lb (161kg) | II |
| SYPJA20T.105P | 3,600lb (1,635kg) | 15.0" - 37.0" | 41.3" | 28.3" | 3.9"-4.7"-5.1" | 8.3" | 25.2" | 6.1" | 1.9" | 9.6" | 359lb (163kg) | II |
| SYPJA20T.110P | 3,600lb (1,635kg) | 15.0" - 39.0" | 43.3" | 28.3" | 3.9"-4.7"-5.1" | 8.3" | 25.2" | 6.1" | 1.9" | 9.5" | 363lb (165kg) | II |
| SYPJA20T.115P | 3,600lb (1,635kg) | 15.0" - 40.1" | 45.3" | 28.3" | 3.9"-4.7"-5.1" | 8.3" | 25.2" | 6.1" | 1.9" | 9.6" | 365lb (166kg) | II |
| SYPJA25T.090P | 5,500lb (2,500kg) | 15.0" - 31.1" | 35.4" | 24.4" | 3.9"-4.7"-5.1" | 8.9" | 25.3" | 6.1" | 2.8" | 11.5" | 374lb (170kg) | II |
| SYPJA25T.095P | 5,500lb (2,500kg) | 15.0" - 33.1" | 37.4" | 24.4" | 3.9"-4.7"-5.1" | 8.9" | 25.3" | 6.1" | 2.8" | 11.6" | 381lb (173kg) | II |
| SYPJA25T.100P | 5,500lb (2,500kg) | 15.0" - 35.0" | 39.4" | 24.4" | 3.9"-4.7"-5.1" | 8.9" | 25.3" | 6.1" | 2.7" | 11.6" | 385lb (175kg) | II |
| SYPJA25T.105P | 5,500lb (2,500kg) | 15.0" - 37.0" | 41.3" | 28.3" | 3.9"-4.7"-5.1" | 8.9" | 25.3" | 6.1" | 2.7" | 11.7" | 389lb (177kg) | II |
| SYPJA25T.110P | 5,500lb (2,500kg) | 15.0" - 39.0" | 43.3" | 28.3" | 3.9"-4.7"-5.1" | 8.9" | 25.3" | 6.1" | 2.7" | 11.7" | 394lb (179kg) | II |
| SYPJA25T.115P | 5,500lb (2,500kg) | 15.0" - 41.0" | 45.3" | 28.3" | 3.9"-4.7"-5.1" | 8.9" | 25.3" | 6.1" | 2.6" | 11.7" | 400lb (182kg) | II |
| SYPJA25T.125P | 5,500lb (2,500kg) | 15.0" - 44.9" | 49.2" | 28.3" | 3.9"-4.7"-5.1" | 8.9" | 25.3" | 6.1" | 2.6" | 11.7" | 409lb (186kg) | II |
| SYPJA25T.135P | 5,500lb (2,500kg) | 15.0" - 48.9" | 53.1" | 28.3" | 3.9"-4.7"-5.1" | 8.9" | 25.3" | 6.1" | 2.6" | 11.8" | 420lb (191kg) | II |
| SYPJA25T.150P | 5,500lb (2,500kg) | 15.0" - 54.7" | 59.1" | 28.3" | 3.9"-4.7"-5.1" | 8.9" | 25.3" | 6.1" | 2.5" | 11.8" | 438lb (199kg) | II |
| SYPJA35T.110P | 6,500lb (3,000kg) | 15.0" - 39.0" | 43.3" | 28.3" | 3.9"-4.7"-5.1" | 15.1" | 26.0" | 6.3" | 2.8" | 14.0" | 473lb (215kg) | III |
| SYPJA35T.115P | 6,500lb (3,000kg) | 15.0" - 41.0" | 45.3" | 28.3" | 3.9"-4.7"-5.1" | 15.1" | 26.0" | 6.3" | 2.7" | 14.1" | 484lb (220kg) | III |
| SYPJA35T.125P | 6,500lb (3,000kg) | 15.0" - 44.9" | 49.2" | 28.3" | 3.9"-4.7"-5.1" | 15.1" | 26.0" | 6.3" | 2.6" | 14.2" | 491lb (223kg) | III |
| SYPJA35T.135P | 6,500lb (3,000kg) | 15.0" - 48.9" | 53.1" | 28.3" | 3.9"-4.7"-5.1" | 15.1" | 26.0" | 6.3" | 2.5" | 14.3" | 508lb (231kg) | III |
| SYPJA35T.150P | 6,500lb (3,000kg) | 15.0" - 54.7" | 59.1" | 28.3" | 3.9"-4.7"-5.1" | 15.1" | 26.0" | 6.3" | 2.5" | 14.3" | 506lb (230kg) | III |
| SYPJA50T.115P | 10,000lb (4,600kg) | 16.5" - 39.4" | 45.3" | 33.5" | 4.7"-5.1"-5.9" | 12.4" | 30.7" | 6.7" | 3.1" | 15.9" | 629lb (286kg) | III |
| SYPJA50T.125P | 10,000lb (4,600kg) | 16.5" - 43.3" | 49.2" | 33.5" | 4.7"-5.1"-5.9" | 12.4" | 30.7" | 6.7" | 3.1" | 15.9" | 649lb (295kg) | III |
| SYPJA50T.135P | 10,000lb (4,600kg) | 16.5" - 47.2" | 53.1" | 33.5" | 4.7"-5.1"-5.9" | 12.4" | 30.7" | 6.7" | 3.1" | 16.0" | 675lb (307kg) | III |
| SYPJA50T.150P | 10,000lb (4,600kg) | 16.5" - 53.1" | 59.1" | 33.5" | 4.7"-5.1"-5.9" | 12.4" | 30.7" | 6.7" | 3.1" | 16.0" | 697lb (317kg) | III |
| SYPJA50T.170P | 10,000lb (4,600kg) | 16.5" - 61.0" | 66.9" | 33.5" | 4.7"-5.1"-5.9" | 12.4" | 30.7" | 6.7" | 3.0" | 16.0" | 689lb (313kg) | III |

AVAILABLE ON REQUEST

Load backrest

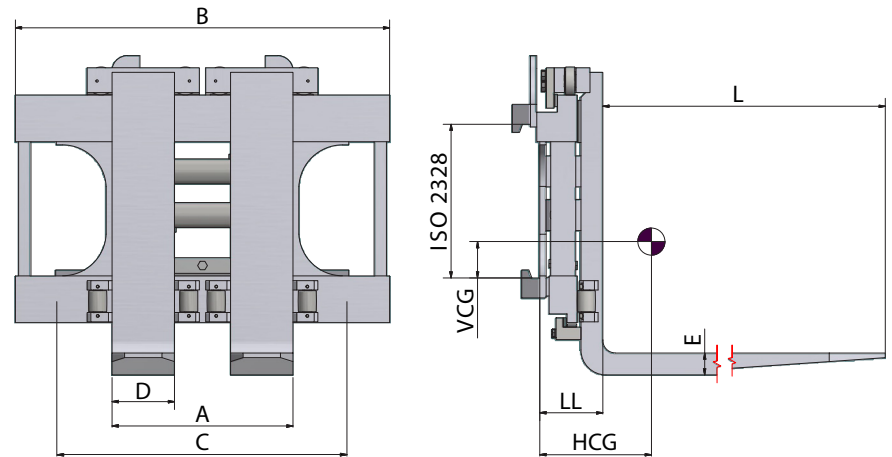
*Attachment not recommended for clamping between forks

FORK POSITIONERS

2.6 HIGH-CAPACITY FORK POSITIONERS WITH WELDED FORKS PR

TECHNICAL DETAILS:

- 1 hydraulic function
- Maximum pressure 2,600 psi
- Recommended oil flow 9 gpm
- Capacity on forks
- Technical data including forks
- Fork positioning with rollers



| Model | Capacity 24" (600mm) Load Center | A Opening Range | H | B | Forks LxDxE | LL | HCG | VCG | Weight | Mounting Class |
|-------------|--|-----------------------|-------|-------|---------------------|------|------|--------|-------------------|-------------------|
| SYPR100.200 | 22,000lb (10,000kg) | 22.8" - 78.9" | 50.2" | 78.7" | 63.0" x 7.9" x 2.8" | 7.8" | 8.9" | 20.5" | 2,832lb (1,285kg) | IV |
| SYPR100.220 | 22,000lb (10,000kg) | 22.8" - 78.7" | 50.2" | 86.6" | 63.0" x 7.9" x 2.8" | 7.8" | 8.6" | 21.1" | 2,910lb (1,320kg) | IV |
| SYPR100.240 | 22,000lb (10,000kg) | 22.8" - 86.6" | 50.2" | 94.5" | 63.0" x 7.9" x 2.8" | 7.8" | 8.2" | 21.9" | 3,009lb (1,365kg) | IV |
| SYPR120.200 | 26,500lb (12,000kg) | 22.8" - 78.9" | 51.6" | 78.7" | 63.0" x 7.9" x 2.8" | 7.8" | 8.7" | 20.0" | 3,042lb (1,380kg) | IV |
| SYPR120.220 | 26,500lb (12,000kg) | 22.8" - 78.7" | 51.6" | 86.6" | 63.0" x 7.9" x 2.8" | 7.8" | 8.4" | 20.6" | 3,119lb (1,415kg) | IV |
| SYPR120.240 | 26,500lb (12,000kg) | 22.8" - 86.6" | 51.6" | 94.5" | 63.0" x 7.9" x 2.8" | 7.8" | 8.0" | 21.12" | 3,218lb (1,460kg) | IV |

Options

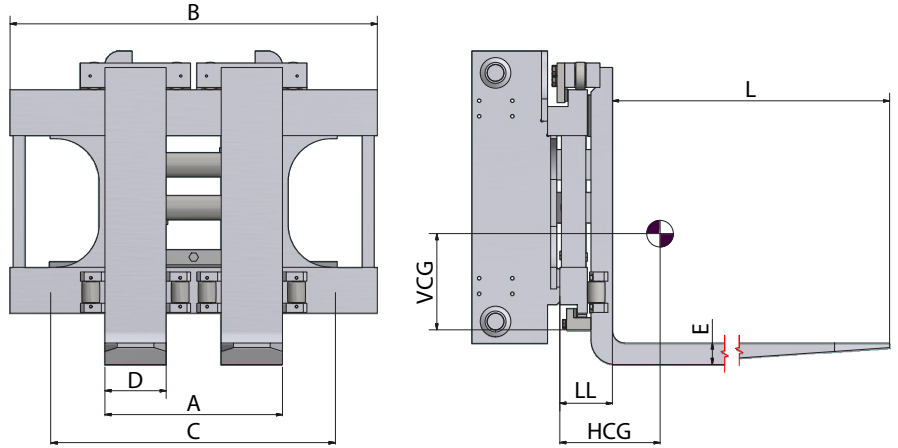
Integrated sideshifting

*Attachment not recommended for clamping between forks

2.7 INTEGRATED HIGH-CAPACITY FORK POSITIONERS WITH WELDED FORKS WITHOUT SIDESHIFTER PRI

TECHNICAL DETAILS:

- 1 hydraulic function
- Maximum pressure 2,600 psi
- Recommended oil flow 9 gpm
- Capacity on forks
- Technical data including forks
- Fork positioning with rollers



| Model | Capacity 24" (600mm) Load Center | A Opening Range | H | B | Forks LxDxE | LL | HCG | VCG | Weight | Mounting Class |
|--------------|--|-----------------------|-------|-------|---------------------|------|------|--------|-------------------|-------------------|
| SYPRI100.200 | 22,000lb (10,000kg) | 22.8" - 78.9" | 50.2" | 78.7" | 63.0" x 7.9" x 2.8" | 7.8" | 8.9" | 20.5" | 2,832lb (1,285kg) | IV |
| SYPRI100.220 | 22,000lb (10,000kg) | 22.8" - 78.7" | 50.2" | 86.6" | 63.0" x 7.9" x 2.8" | 7.8" | 8.6" | 21.1" | 2,910lb (1,320kg) | IV |
| SYPRI100.240 | 22,000lb (10,000kg) | 22.8" - 86.6" | 50.2" | 94.5" | 63.0" x 7.9" x 2.8" | 7.8" | 8.2" | 21.9" | 3,009lb (1,365kg) | IV |
| SYPRI120.200 | 26,500lb (12,000kg) | 22.8" - 78.9" | 51.6" | 78.7" | 63.0" x 7.9" x 2.8" | 7.8" | 8.7" | 20.0" | 3,042lb (1,380kg) | IV |
| SYPRI120.220 | 26,500lb (12,000kg) | 22.8" - 78.7" | 51.6" | 86.6" | 63.0" x 7.9" x 2.8" | 7.8" | 8.4" | 20.6" | 3,119lb (1,415kg) | IV |
| SYPRI120.240 | 26,500lb (12,000kg) | 22.8" - 86.6" | 51.6" | 94.5" | 63.0" x 7.9" x 2.8" | 7.8" | 8.0" | 21.12" | 3,218lb (1,460kg) | IV |

Options

Integrated sideshifting

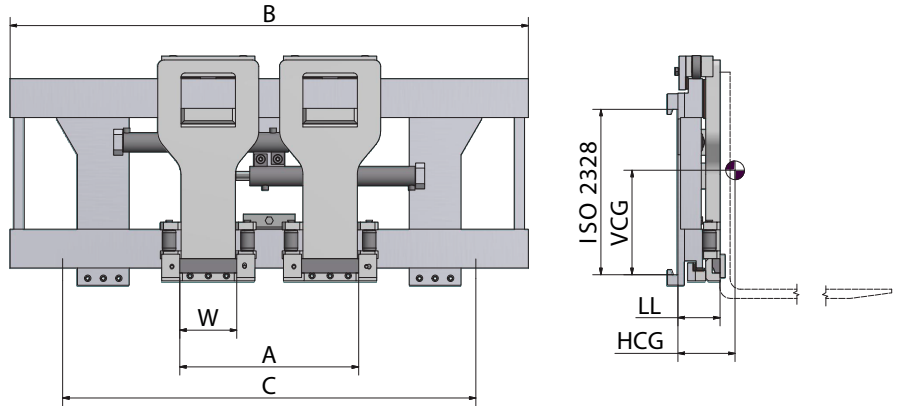
*Attachment not recommended for clamping between forks
 These models are integrated in the mast
 Supplied with side plates and roller shafts
 Mast engineering drawings required

FORK POSITIONERS

2.8 HIGH-CAPACITY FORK POSITIONER WITH FEM FORK CARRIERS WITHOUT SIDESHIFTER PRA

TECHNICAL DETAILS:

- 1 hydraulic function
- Maximum pressure 2,600 psi
- Recommended oil flow 9 gpm
- Capacity on forks
- Technical data including forks
- Fork carriers with rollers



| Model | Capacity 24" (600mm) Load Center | A Opening Range | H | B | W Fork Adaptor Width | LL | HCG | VCG | Weight | Mounting Class |
|--------------|--|-----------------------|-------|-------|----------------------------|------|------|-------|-----------------|-------------------|
| SYPra100.200 | 22,000lb (10,000kg) | 24.8" - 71.7" | 50.2" | 78.7" | 7.9" | 6.4" | 3.0" | 16.5" | 1,785lb (810kg) | IV |
| SYPra100.220 | 22,000lb (10,000kg) | 24.8" - 79.5" | 50.2" | 86.6" | 7.9" | 6.4" | 2.9" | 16.1" | 1,940lb (880kg) | IV |
| SYPra100.240 | 22,000lb (10,000kg) | 24.8" - 87.4" | 50.2" | 94.5" | 7.9" | 6.4" | 2.1" | 15.1" | 2,094lb (950kg) | IV |
| SYPra120.200 | 22,000lb (10,000kg) | 24.8" - 71.7" | 51.6" | 78.7" | 7.9" | 6.8" | 3.3" | 16.5" | 1,884lb (855kg) | IV |
| SYPra120.220 | 22,000lb (10,000kg) | 24.8" - 79.5" | 51.6" | 86.6" | 7.9" | 6.8" | 3.2" | 16.3" | 2,039lb (925kg) | IV |
| SYPra120.240 | 22,000lb (10,000kg) | 24.8" - 87.4" | 51.6" | 94.5" | 7.9" | 6.8" | 3.2" | 16.1" | 2,193lb (995kg) | IV |

Options

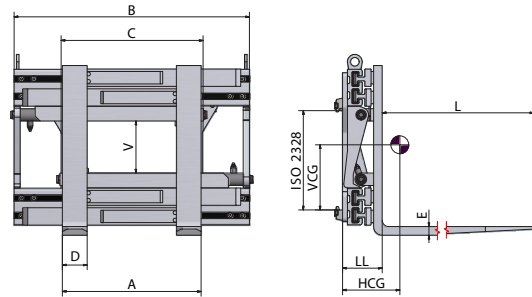
Integrated sideshifting

*Attachment not recommended for clamping between forks

2.9 WIDE OPENING FORK POSITIONERS WITH WELDED FORKS WF

TECHNICAL DETAILS:

- 1 hydraulic function
- Maximum pressure 2,600 psi
- Recommended oil flow 5 gpm
- Welded forks
- Capacity on forks
- Technical data including forks



| Model | Capacity 24" (600mm) Load Center | A Opening Range | B | C | Forks LxDxE | V | LL | HCG | VCG | Weight | Mounting Class |
|--------------|--|-----------------------|-------|-------|---------------------|-------|------|------|------|----------------|-------------------|
| SYWF16-A0-12 | 2,500lb (1,135kg) | 22.0" - 68.5" | 37.4" | 29.5" | 47.2" x 4.0" x 1.3" | 8.3" | 6.5" | 8.0" | 7.4" | 659lb (299kg) | II |
| SYWF16-B0-12 | 2,500lb (1,135kg) | 22.0" - 72.4" | 41.3" | 29.5" | 47.2" x 4.0" x 1.3" | 8.3" | 6.5" | 7.5" | 7.4" | 681lb (309kg) | II |
| SYWF20-A0-12 | 3,600lb (1,635kg) | 22.0" - 68.5" | 37.4" | 29.5" | 47.2" x 4.0" x 1.6" | 8.3" | 6.5" | 8.7" | 7.1" | 709lb (322kg) | II |
| SYWF20-B0-12 | 3,600lb (1,635kg) | 22.0" - 72.4" | 41.3" | 29.5" | 47.2" x 4.0" x 1.6" | 8.3" | 6.5" | 8.5" | 7.1" | 731lb (332kg) | II |
| SYWF20-C0-12 | 3,600lb (1,635kg) | 22.0" - 76.4" | 45.3" | 29.5" | 47.2" x 4.0" x 1.6" | 8.3" | 6.5" | 8.3" | 7.1" | 753lb (342kg) | II |
| SYWF23-A0-12 | 4,500lb (2,045kg) | 22.0" - 68.5" | 37.4" | 29.5" | 47.2" x 4.0" x 1.6" | 8.3" | 6.5" | 7.8" | 7.1" | 716lb (325kg) | II |
| SYWF23-B0-12 | 4,500lb (2,045kg) | 22.0" - 72.4" | 41.3" | 29.5" | 47.2" x 4.0" x 1.6" | 8.3" | 6.5" | 7.6" | 7.1" | 738lb (335kg) | II |
| SYWF23-C0-12 | 4,500lb (2,045kg) | 22.0" - 76.4" | 45.3" | 29.5" | 47.2" x 4.0" x 1.6" | 8.3" | 6.5" | 7.4" | 7.1" | 760lb (345kg) | II |
| SYWF30-A0-12 | 5,500lb (2,500kg) | 22.0" - 72.4" | 41.3" | 31.5" | 47.2" x 4.7" x 1.8" | 11.2" | 7.0" | 7.9" | 8.4" | 861lb (391kg) | III |
| SYWF30-B0-12 | 5,500lb (2,500kg) | 22.0" - 76.4" | 45.3" | 35.4" | 47.2" x 4.7" x 1.8" | 11.2" | 7.0" | 7.7" | 8.4" | 884lb (401kg) | III |
| SYWF30-C0-12 | 5,500lb (2,500kg) | 22.0" - 82.7" | 52.0" | 35.4" | 47.2" x 4.7" x 1.8" | 11.1" | 7.0" | 7.4" | 8.4" | 921lb (418kg) | III |
| SYWF40-A0-12 | 7,000lb (3,180kg) | 22.0" - 76.4" | 45.3" | 35.4" | 47.2" x 4.7" x 2.0" | 9.4" | 8.3" | 7.1" | 8.1" | 1311lb (595kg) | III |
| SYWF40-B0-12 | 7,000lb (3,180kg) | 22.0" - 82.7" | 52.0" | 39.4" | 47.2" x 4.7" x 2.0" | 9.4" | 8.3" | 7.0" | 8.1" | 1349lb (612kg) | III |
| SYWF40-C0-12 | 7,000lb (3,180kg) | 22.0" - 94.5" | 63.0" | 41.3" | 47.2" x 4.7" x 2.0" | 9.4" | 8.3" | 6.6" | 8.1" | 1410lb (640kg) | III |
| SYWF45-A0-12 | 8,500lb (3,860kg) | 22.0" - 76.4" | 45.3" | 35.4" | 47.2" x 6.0" x 2.0" | 9.4" | 8.3" | 7.0" | 8.0" | 1344lb (610kg) | III |
| SYWF45-B0-12 | 8,500lb (3,860kg) | 22.0" - 82.7" | 52.0" | 39.4" | 47.2" x 6.0" x 2.0" | 9.4" | 8.3" | 6.9" | 8.0" | 1382lb (627kg) | III |
| SYWF45-C0-12 | 8,500lb (3,860kg) | 22.0" - 94.5" | 63.0" | 41.3" | 47.2" x 6.0" x 2.0" | 9.4" | 8.3" | 6.6" | 8.0" | 1444lb (655kg) | III |
| SYWF55-A0-12 | 10,800lb (4,910kg) | 22.0" - 82.7" | 52.0" | 39.4" | 47.2" x 6.0" x 2.3" | 13.0" | 8.7" | 7.3" | 9.8" | 1448lb (657kg) | IV |
| SYWF55-B0-12 | 10,800lb (4,910kg) | 22.0" - 94.5" | 63.0" | 41.3" | 47.2" x 6.0" x 2.3" | 13.0" | 8.7" | 6.9" | 9.8" | 1510lb (685kg) | IV |
| SYWF65-A0-12 | 14,300lb (6,500kg) | 22.0" - 94.5" | 63.0" | 41.3" | 47.2" x 6.0" x 2.3" | 13.0" | 9.3" | 7.1" | 9.8" | 1796lb (815kg) | IV |
| SYWF65-B0-12 | 14,300lb (6,500kg) | 22.0" - 102.4" | 70.9" | 47.2" | 47.2" x 6.0" x 2.3" | 13.0" | 9.3" | 6.8" | 9.8" | 1851lb (840kg) | IV |

Options

2 hydraulic functions – Integrated sideshifting

2 hydraulic functions – Independent arm control

Separate sideshifting 8" for mounting Class II

Quick-release lower mountings, Class II or Class III

Separate sideshifting 8" for mounting Class III

Quick-release lower mountings, Class IV

Separate sideshifting 8" for mounting Class IV

AVAILABLE ON REQUEST

Load backrest

Class B mounting fork

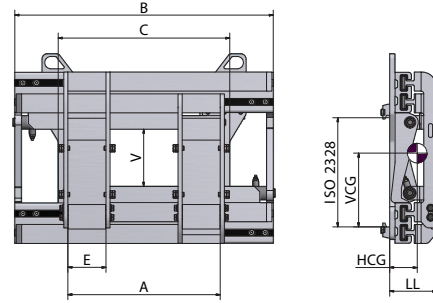
*Attachment not recommended for clamping between forks

FORK POSITIONERS

2.10 WIDE OPENING FORK POSITIONERS WITH FEM FORK CARRIERS WA

TECHNICAL DETAILS:

- 1 hydraulic function
- Maximum pressure 2,600 psi
- Recommended oil flow 5 gpm
- 60" maximum fork length. For longer lengths consult TVH
- Standard lift truck forks can be easily fitted
- Without sidershifter



| Model | Capacity 24" (600mm) Load Center | A Opening Range | B | C | V | E | LL | HCG | VCG | Weight | Mounting Class |
|-----------|--|-----------------------|-------|-------|-------|------|------|------|-------|-----------------|----------------|
| SYWA16-A0 | 2,500lb (1,135kg) | 22.0" - 68.5" | 37.4" | 29.5" | 8.3" | 5.1" | 6.5" | 2.8" | 9.8" | 533lb (242kg) | II |
| SYWA16-B0 | 2,500lb (1,135kg) | 22.0" - 72.4" | 41.3" | 29.5" | 8.3" | 5.1" | 6.5" | 2.8" | 9.8" | 555lb (252kg) | II |
| SYWA20-A0 | 3,600lb (1,635kg) | 22.0" - 68.5" | 37.4" | 29.5" | 8.3" | 5.1" | 6.5" | 2.8" | 9.7" | 586lb (266kg) | II |
| SYWA20-B0 | 3,600lb (1,635kg) | 22.0" - 72.4" | 41.3" | 29.5" | 8.3" | 5.1" | 6.5" | 2.8" | 9.7" | 608lb (276kg) | II |
| SYWA20-C0 | 3,600lb (1,635kg) | 22.0" - 76.4" | 45.3" | 29.5" | 8.3" | 5.1" | 6.5" | 2.8" | 9.7" | 630lb (286kg) | II |
| SYWA23-A0 | 4,500lb (2,045kg) | 22.0" - 68.5" | 37.4" | 29.5" | 8.3" | 5.1" | 6.5" | 2.8" | 9.7" | 593lb (269kg) | II |
| SYWA23-B0 | 4,500lb (2,045kg) | 22.0" - 72.4" | 41.3" | 29.5" | 8.3" | 5.1" | 6.5" | 2.8" | 9.7" | 615lb (279kg) | II |
| SYWA23-C0 | 4,500lb (2,045kg) | 22.0" - 76.4" | 45.3" | 29.5" | 8.3" | 5.1" | 6.5" | 2.8" | 9.7" | 637lb (289kg) | II |
| SYWA30-A0 | 5,500lb (2,500kg) | 22.0" - 72.4" | 41.3" | 31.5" | 11.2" | 5.9" | 7.4" | 3.0" | 11.3" | 648lb (294kg) | III |
| SYWA30-B0 | 5,500lb (2,500kg) | 22.0" - 76.4" | 45.3" | 35.4" | 11.2" | 5.9" | 7.4" | 3.0" | 11.3" | 670lb (304kg) | III |
| SYWA30-C0 | 5,500lb (2,500kg) | 22.0" - 82.7" | 52.0" | 35.4" | 11.1" | 5.9" | 7.4" | 3.0" | 11.3" | 707lb (321kg) | III |
| SYWA40-A0 | 7,000lb (3,180kg) | 22.0" - 76.4" | 45.3" | 35.4" | 9.4" | 5.9" | 8.8" | 3.7" | 12.2" | 974lb (442kg) | III |
| SYWA40-B0 | 7,000lb (3,180kg) | 22.0" - 82.7" | 52.0" | 39.4" | 9.4" | 5.9" | 8.8" | 3.7" | 12.2" | 1,011lb (459kg) | III |
| SYWA40-C0 | 7,000lb (3,180kg) | 22.0" - 94.5" | 63.0" | 41.3" | 9.4" | 5.9" | 8.8" | 3.7" | 12.2" | 1,073lb (487kg) | III |
| SYWA45-A0 | 8,500lb (3,860kg) | 22.0" - 76.4" | 45.3" | 35.4" | 9.4" | 5.9" | 8.8" | 3.7" | 12.1" | 1,005lb (456kg) | III |
| SYWA45-B0 | 8,500lb (3,860kg) | 22.0" - 82.7" | 52.0" | 39.4" | 9.4" | 5.9" | 8.8" | 3.7" | 12.1" | 1,042lb (473kg) | III |
| SYWA45-C0 | 8,500lb (3,860kg) | 22.0" - 94.5" | 63.0" | 41.3" | 9.4" | 5.9" | 8.8" | 3.7" | 12.1" | 1,104lb (501kg) | III |
| SYWA55-A0 | 10,800lb (4,910kg) | 22.0" - 82.7" | 52.0" | 39.4" | 13.0" | 7.9" | 9.3" | 4.1" | 11.4" | 1,108lb (530kg) | IV |
| SYWA55-B0 | 10,800lb (4,910kg) | 22.0" - 94.5" | 63.0" | 41.3" | 13.0" | 7.9" | 9.3" | 4.1" | 11.4" | 1,230lb (558kg) | IV |
| SYWA65-A0 | 14,300lb (6,500kg) | 22.0" - 94.5" | 63.0" | 41.3" | 13.0" | 7.9" | 9.8" | 4.0" | 11.6" | 1,774lb (805kg) | IV |
| SYWA65-B0 | 14,300lb (6,500kg) | 22.0" - 102.4" | 70.9" | 47.2" | 13.0" | 7.9" | 9.8" | 4.0" | 11.6" | 1,829lb (830kg) | IV |

Options

2 hydraulic functions – Integrated sidershifting

2 hydraulic functions – Independent arm control

Separate sidershifting 8" for mounting Class II

Quick-release lower mountings, Class II or Class III

Separate sidershifting 8" for mounting Class III

Quick-release lower mountings, Class IV

Separate sidershifting 8" for mounting Class IV

*Attachment not recommended for clamping between forks



CHAPTER OVERVIEW

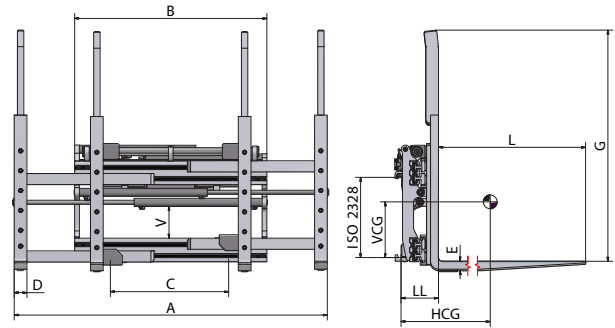
| | | | |
|------------|---|--------------|----|
| 3.1 | Four-fork positioners for multi-pallets | <i>UDPS</i> | 27 |
| 3.2 | Four-fork positioners for multi-pallets | <i>UDPSL</i> | 28 |

MULTI-FORK POSITIONERS

3.1 FOUR-FORK POSITIONERS FOR MULTI-PALLETS UDPS

TECHNICAL DETAILS:

- 2 hydraulic functions
- Maximum pressure 2,600 psi
- Recommended oil flow 5 gpm
- Separate sideshifter 8"
- Integrated flow divider
- Bolted forks
- C - Minimal width lift truck carriage



36" X 36" BEVERAGE PALLETS

| Model | Capacity 24" (600mm) Load Center | A Opening Range | B | C | Forks LxDxE | G | V | LL | HCG | VCG | Weight | Mounting Class |
|------------|--|-----------------------|-------|-------|---------------------|-------|------|-------|------|-------|-----------------|----------------|
| SYUDPS16B | 3,500lb (1,600kg) | 26.0" - 71.7" | 37.4" | 31.5" | 36.0" x 3.2" x 2.0" | 48.0" | 6.3" | 9.1" | 7.8" | 10.1" | 1,157lb (525kg) | II |
| SYUDPS161B | 3,500lb (1,600kg) | 26.0" - 81.5" | 47.2" | 31.5" | 36.0" x 3.2" x 2.0" | 48.0" | 6.3" | 9.1" | 7.5" | 9.9" | 1,238lb (562kg) | II |
| SYUDPS25B | 5,500lb (2,500kg) | 26.0" - 81.5" | 47.2" | 33.5" | 36.0" x 3.2" x 2.0" | 48.0" | 7.9" | 9.1" | 7.4" | 9.9" | 1,267lb (575kg) | III |
| SYUDPS32B | 7,000lb (3,200kg) | 26.0" - 81.5" | 47.2" | 35.4" | 36.0" x 3.2" x 2.0" | 48.0" | 7.9" | 9.1" | 7.2" | 12.9" | 1,289lb (585kg) | III |
| SYUDPS36B | 8,000lb (3,600kg) | 26.0" - 81.5" | 49.2" | 35.4" | 36.0" x 3.2" x 2.4" | 48.0" | 9.8" | 10.4" | 7.2" | 12.4" | 1,565lb (710kg) | III |
| SYUDPS50B | 10,000lb (5,000kg) | 26.0" - 81.5" | 49.2" | 35.4" | 36.0" x 3.2" x 2.4" | 48.0" | 9.8" | 10.7" | 7.2" | 14.1" | 1,595lb (725kg) | IV |

48" X 40" BLOCK AND GMA PALLETS

| Model | Capacity 24" (600mm) Load Center | A Opening Range | B | C | Forks LxDxE | G | V | LL | HCG | VCG | Weight | Mounting Class |
|------------|--|-----------------------|-------|-------|---------------------|-------|------|-------|------|-------|-----------------|----------------|
| SYUDPS16G | 3,500lb (1,600kg) | 26.0" - 71.7" | 37.4" | 31.5" | 42.0" x 3.2" x 2.0" | 48.0" | 6.3" | 9.1" | 8.5" | 9.9" | 1,190lb (540kg) | II |
| SYUDPS161G | 3,500lb (1,600kg) | 26.0" - 81.5" | 47.2" | 31.5" | 42.0" x 3.2" x 2.0" | 48.0" | 6.3" | 9.1" | 8.2" | 9.7" | 1,267lb (575kg) | II |
| SYUDPS25G | 5,500lb (2,500kg) | 26.0" - 81.5" | 47.2" | 33.5" | 42.0" x 3.2" x 2.0" | 48.0" | 7.9" | 9.1" | 8.2" | 9.8" | 1,300lb (590kg) | III |
| SYUDPS32G | 7,000lb (3,200kg) | 26.0" - 81.5" | 47.2" | 35.4" | 42.0" x 3.2" x 2.0" | 48.0" | 7.9" | 9.1" | 8.4" | 12.6" | 1,322lb (600kg) | III |
| SYUDPS36G | 8,000lb (3,600kg) | 26.0" - 81.5" | 49.2" | 35.4" | 42.0" x 3.2" x 2.0" | 48.0" | 9.8" | 10.4" | 8.9" | 11.9" | 1,598lb (725kg) | III |
| SYUDPS50G | 10,000lb (5,000kg) | 26.0" - 81.5" | 49.2" | 35.4" | 42.0" x 3.2" x 2.4" | 48.0" | 9.8" | 10.7" | 8.9" | 13.4" | 1,631lb (740kg) | IV |

44" X 56" CONTAINER PALLETS

| Model | Capacity 24" (600mm) Load Center | A Opening Range | B | C | Forks LxDxE | G | V | LL | HCG | VCG | Weight | Mounting Class |
|------------|--|-----------------------|-------|-------|---------------------|-------|------|-------|-------|-------|-----------------|----------------|
| SYUDPS16C | 3,500lb (1,600kg) | 26.0" - 71.7" | 37.4" | 31.5" | 54.0" x 3.2" x 2.0" | 48.0" | 6.3" | 9.1" | 10.9" | 9.7" | 1,234lb (560kg) | II |
| SYUDPS161C | 3,500lb (1,600kg) | 26.0" - 81.5" | 47.2" | 31.5" | 54.0" x 3.2" x 2.0" | 48.0" | 6.3" | 9.1" | 10.6" | 9.5" | 1,311lb (595kg) | II |
| SYUDPS25C | 5,500lb (2,500kg) | 26.0" - 81.5" | 47.2" | 33.5" | 54.0" x 3.2" x 2.0" | 48.0" | 7.9" | 9.1" | 10.6" | 9.5" | 1,344lb (610kg) | III |
| SYUDPS32C | 7,000lb (3,200kg) | 26.0" - 81.5" | 47.2" | 35.4" | 54.0" x 3.2" x 2.0" | 48.0" | 7.9" | 9.1" | 10.5" | 9.5" | 1,366lb (620kg) | III |
| SYUDPS36C | 8,000lb (3,600kg) | 26.0" - 81.5" | 49.2" | 35.4" | 54.0" x 3.2" x 2.4" | 48.0" | 9.8" | 10.4" | 10.7" | 11.7" | 1,642lb (745kg) | III |
| SYUDPS50C | 10,000lb (5,000kg) | 26.0" - 81.5" | 49.2" | 35.4" | 54.0" x 3.2" x 2.4" | 48.0" | 9.8" | 10.7" | 10.7" | 13.2" | 1,675lb (760kg) | IV |

AVAILABLE ON REQUEST

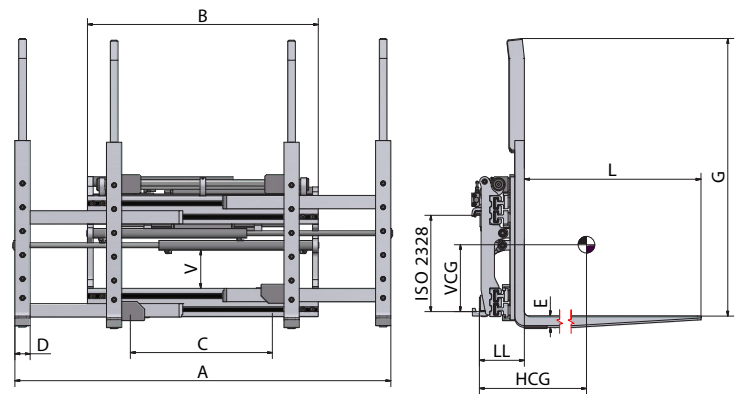
Models without sideshifter

*Attachment not recommended for clamping between forks

3.2 FOUR-FORK POSITIONERS FOR MULTI-PALLETS UDPSL

TECHNICAL DETAILS:

- 2 hydraulic functions
- Maximum pressure 2,600 psi
- Recommended oil flow 5 gpm
- Separate sideshifter 8"
- Integrated flow divider
- Bolted forks
- C – Minimal width lift truck carriage



36" X 36" BEVERAGE PALLETS

| Model | Capacity 48" (1,200mm) Load Center | A Opening Range | B | C | Forks LxDxE | G | V | LL | HCG | VCG | Weight | Mounting Class |
|---------------|--|-----------------------|-------|-------|---------------------|-------|------|-------|-------|-------|-----------------|-------------------|
| SYUDPS1212B | 2,750lb (1,250kg) | 26.0"/81.5" | 47.2" | 33.5" | 71.0" x 3.2" x 2.0" | 48.0" | 7.9" | 9.1" | 16.2" | 12.3" | 1,642lb (745kg) | III |
| SYUDPS1812B | 4,000lb (1,800kg) | 26.0"/81.5" | 49.2" | 37.4" | 71.0" x 3.2" x 2.6" | 48.0" | 9.8" | 10.6" | 17.6" | 12.2" | 1,917lb (870kg) | III |
| SYUDPS1812-4B | 4,000lb (1,800kg) | 26.0"/81.5" | 49.2" | 37.4" | 71.0" x 3.2" x 2.6" | 48.0" | 9.8" | 11.2" | 17.5" | 13.0" | 1,940lb (880kg) | IV |
| SYUDPS2612B | 5,700lb (2,600kg) | 26.0"/81.5" | 51.2" | 37.4" | 71.0" x 3.2" x 2.8" | 48.0" | 9.8" | 10.8" | 17.3" | 12.3" | 1,966lb (892kg) | III |
| SYUDPS2612-4B | 5,700lb (2,600kg) | 26.0"/81.5" | 51.2" | 37.4" | 71.0" x 3.2" x 2.8" | 48.0" | 9.8" | 11.4" | 17.2" | 12.3" | 1,990lb (903kg) | IV |

48" X 40" BLOCK AND GMA PALLETS

| Model | Capacity 48" (1,200mm) Load Center | A Opening Range | B | C | Forks LxDxE | G | V | LL | HCG | VCG | Weight | Mounting Class |
|---------------|--|-----------------------|-------|-------|---------------------|-------|------|-------|-------|-------|-----------------|-------------------|
| SYUDPS1212G | 2,750lb (1,250kg) | 27.6"/82.7" | 47.2" | 33.5" | 84.0" x 3.2" x 2.0" | 48.0" | 7.9" | 9.1" | 19.9" | 12.2" | 1,671lb (758kg) | III |
| SYUDPS1812G | 4,000lb (1,800kg) | 26.0"/81.5" | 49.2" | 37.4" | 84.0" x 3.2" x 2.6" | 48.0" | 9.8" | 10.6" | 20.2" | 12.1" | 1,973lb (895kg) | III |
| SYUDPS1812-4G | 4,000lb (1,800kg) | 26.0"/81.5" | 49.2" | 37.4" | 84.0" x 3.2" x 2.6" | 48.0" | 9.8" | 11.2" | 20.3" | 12.8" | 2,017lb (915kg) | IV |
| SYUDPS2612G | 5,700lb (2,600kg) | 26.0"/81.5" | 51.2" | 37.4" | 84.0" x 3.2" x 2.8" | 48.0" | 9.8" | 10.8" | 20.1" | 11.9" | 2,006lb (910kg) | III |
| SYUDPS2612-4G | 5,700lb (2,600kg) | 26.0"/81.5" | 51.2" | 37.4" | 84.0" x 3.2" x 2.8" | 48.0" | 9.8" | 11.4" | 20.0" | 11.7" | 2,061lb (935kg) | IV |

44" X 56" CONTAINER PALLETS

| Model | Capacity 48" (1,200mm) Load Center | A Opening Range | B | C | Forks LxDxE | G | V | LL | HCG | VCG | Weight | Mounting Class |
|---------------|--|-----------------------|-------|-------|----------------------|-------|------|-------|-------|-------|-----------------|-------------------|
| SYUDPS1212C | 2,750lb (1,250kg) | 26.0"/81.5" | 47.2" | 33.5" | 108.0" x 3.2" x 2.0" | 48.0" | 7.9" | 9.1" | 27.8" | 11.9" | 1,695lb (769kg) | III |
| SYUDPS1812C | 4,000lb (1,800kg) | 26.0"/81.5" | 49.2" | 37.4" | 108.0" x 3.2" x 2.6" | 48.0" | 9.8" | 10.6" | 27.9" | 11.8" | 2,094lb (950kg) | III |
| SYUDPS1812-4C | 4,000lb (1,800kg) | 26.0"/81.5" | 49.2" | 37.4" | 108.0" x 3.2" x 2.6" | 48.0" | 9.8" | 11.2" | 27.7" | 12.6" | 2,138lb (970kg) | IV |
| SYUDPS2612C | 5,700lb (2,600kg) | 26.0"/81.5" | 51.2" | 37.4" | 108.0" x 3.2" x 2.8" | 48.0" | 9.8" | 10.8" | 27.7" | 11.7" | 2,127lb (965kg) | III |
| SYUDPS2612-4C | 5,700lb (2,600kg) | 26.0"/81.5" | 51.2" | 37.4" | 108.0" x 3.2" x 2.8" | 48.0" | 9.8" | 11.4" | 27.5" | 12.5" | 2,171lb (985kg) | IV |

AVAILABLE ON REQUEST

Models without sideshifter

*Attachment not recommended for clamping between forks



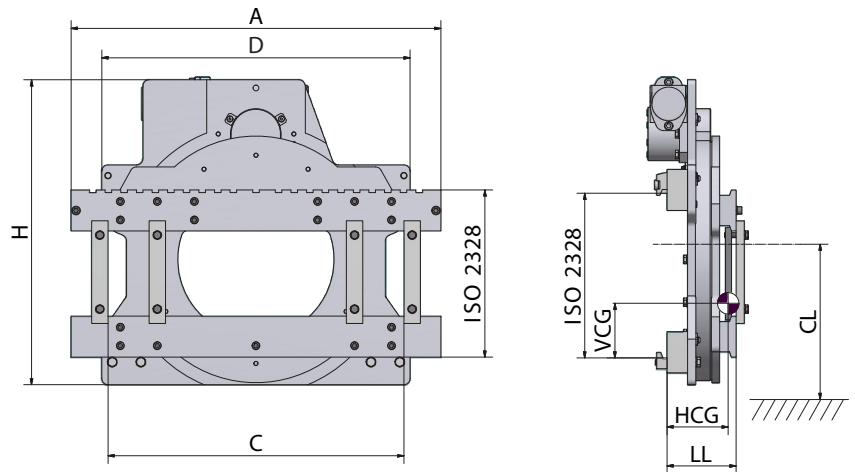
CHAPTER OVERVIEW

| | | | |
|------------|--|------------------|----|
| 4.1 | Rotators without sidershifter 360° | <i>(U)PRC</i> | 31 |
| 4.2 | Rotators with sidershifter 360° | <i>(U)PRC-T</i> | 32 |
| 4.3 | Rotators without sidershifter 360° for bins | <i>(U)PRC-DA</i> | 33 |
| 4.4 | Rotators without sidershifter 360° with hydraulic bin retainer | <i>RBC</i> | 34 |
| 4.5 | Plastic container rotators 360° | <i>RLC</i> | 35 |
| 4.6 | Plastic container rotators 180° | <i>RLCA</i> | 36 |

4.1 ROTATORS WITHOUT SIDESHIFTER 360° (U)PRC

TECHNICAL DETAILS:

- 1 hydraulic functions
- Maximum pressure 2,600 psi
- Recommended oil flow 7 gpm
- Fork bar assembly and locking fork pads included
- Without forks



| Model | Capacity 24" (600mm) Load Center | A | H | CL | C | D | RPM with GPM 8.5 | LL | HCG | VCG | Weight | Torque in/lbs | Mounting Class |
|----------|--|-------|-------|-------|-------|-------|---------------------|-------|------|-------|-------------------|------------------|-------------------|
| SYUPRC10 | 2,200lb (1,000kg) | 35.4" | 29.2" | 12.4" | 8.3" | 32.3" | 5.5 | 6.5" | 3.1" | 11.4" | 462lb (210kg) | 35,500 | II |
| SYUPRC14 | 3,000lb (1,365kg) | 35.4" | 29.2" | 12.4" | 8.3" | 32.3" | 5.5 | 6.7" | 3.1" | 11.4" | 469lb (213kg) | 35,500 | II |
| SYUPRC18 | 4,000lb (1,815kg) | 35.4" | 29.2" | 12.4" | 8.3" | 32.3" | 5.5 | 6.7" | 3.1" | 11.4" | 473lb (215kg) | 35,500 | II |
| SYPRC18D | 4,000lb (1,815kg) | 35.4" | 29.2" | 12.4" | 8.3" | 32.3" | 5.5 | 6.7" | 3.1" | 11.4" | 473lb (215kg) | 35,500 | II |
| SYUPRC20 | 4,500lb (2,045kg) | 40.9" | 30.5" | 12.4" | 8.3" | 35.2" | 4.8 | 6.7" | 3.1" | 11.2" | 496lb (225kg) | 49,000 | II |
| SYPRC22D | 5,000lb (2,270kg) | 40.9" | 30.5" | 16.3" | 12.2" | 35.2" | 3.4 | 6.7" | 3.3" | 11.2" | 672lb (305kg) | 60,000 | II |
| SYUPRC22 | 5,000lb (2,270kg) | 45.3" | 30.5" | 16.3" | 12.2" | 40.4" | 3.4 | 6.7" | 3.3" | 11.2" | 672lb (305kg) | 60,000 | II/III |
| SYPRC28D | 6,000lb (2,800kg) | 45.3" | 30.5" | 16.3" | 12.2" | 40.4" | 2.8 | 6.8" | 3.3" | 11.2" | 715lb (325kg) | 60,000 | III |
| SYUPRC30 | 6,600lb (3,000kg) | 45.3" | 30.5" | 16.3" | 12.2" | 40.4" | 2.8 | 6.9" | 3.3" | 12.7" | 716lb (325kg) | 75,000 | III |
| SYPRC32D | 6,600lb (3,000kg) | 45.3" | 30.5" | 16.3" | 12.2" | 40.4" | 2.8 | 6.8" | 3.3" | 12.7" | 716lb (325kg) | 75,000 | III |
| SYUPRC36 | 8,000lb (3,630kg) | 51.2" | 33.1" | 16.5" | 13.0" | 45.1" | 2.4 | 7.3" | 3.5" | 12.5" | 970lb (440kg) | 86,000 | III |
| SYPRC55D | 12,000lb (5,450kg) | 51.2" | 37.8" | 22.5" | 15.0" | 47.0" | 1.5 | 8.3" | 4.3" | 14.2" | 1,421lb (645kg) | 141,000 | IV |
| SYPRC70D | 15,000lb (6,810kg) | 68.9" | 41.7" | 23.2" | 24.2" | 63.6" | 1.5 | 11.2" | 6.1" | 17.1" | 2,458lb (1,115kg) | 141,000 | IV |

Options

Foundry front and back cover

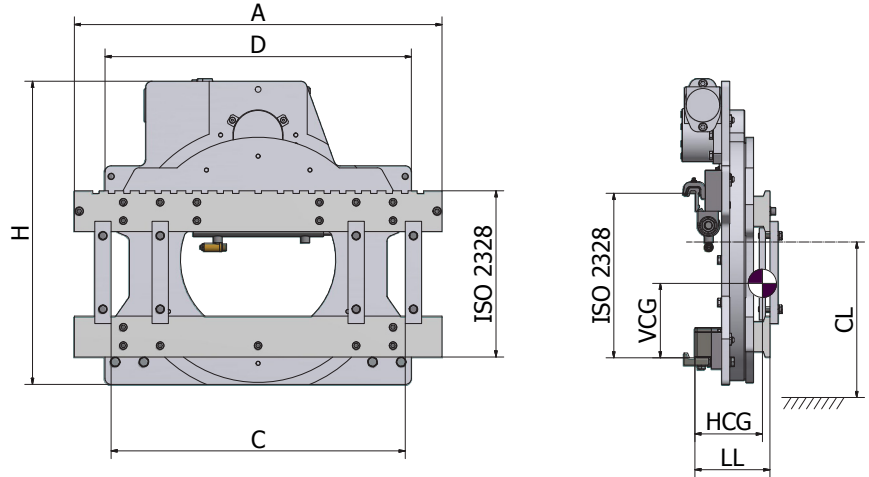
AVAILABLE ON REQUEST

- Foundry kit (front cover, back cover, engine cover)
- Different length of fork bars
- Pin-type fork models
- 180° rotation kit
- Third fork hook

4.2 ROTATORS WITH SIDESHIFTER 360° (U)PRC-T

TECHNICAL DETAILS:

- 2 hydraulic functions
- Maximum pressure 2,600 psi
- Recommended oil flow 7 gpm
- Fork bar assembly and locking fork pads included
- Without forks
- With sideshift



| Model | Capacity 24" (600mm) Load Center | A | H | CL | C | D | RPM with GPM 8.5 | LL | HCG | VCG | Weight | Torque in/lbs | Mounting Class |
|-----------|--|-------|-------|-------|-------|-------|---------------------|-------|------|-------|-------------------|------------------|-------------------|
| SYUPRC10T | 2,200lb (1,000kg) | 35.4" | 29.2" | 12.4" | 8.3" | 32.3" | 5.5 | 6.5" | 3.1" | 11.5" | 462lb (210kg) | 35500 | II |
| SYUPRC14T | 3,000lb (1,365kg) | 35.4" | 29.2" | 12.4" | 8.3" | 32.3" | 5.5 | 6.7" | 3.1" | 11.5" | 469lb (213kg) | 35500 | II |
| SYUPRC18T | 4,000lb (1,815kg) | 35.4" | 29.2" | 12.4" | 8.3" | 32.3" | 5.5 | 6.7" | 3.1" | 11.5" | 473lb (215kg) | 35500 | II |
| SYUPRC20T | 4,500lb (2,045kg) | 40.9" | 30.5" | 12.4" | 8.3" | 35.2" | 4.8 | 6.7" | 3.1" | 11.3" | 496lb (225kg) | 49000 | II |
| SYUPRC22T | 5,000lb (2,270kg) | 45.3" | 30.5" | 16.3" | 12.2" | 40.4" | 3.4 | 6.7" | 3.3" | 11.3" | 672lb (305kg) | 60000 | II/III |
| SYUPRC30T | 6,600lb (3,000kg) | 45.3" | 30.5" | 16.3" | 12.2" | 40.4" | 2.8 | 6.9" | 3.3" | 11.3" | 716lb (325kg) | 75000 | III |
| SYUPRC36T | 8,000lb (3,630kg) | 51.2" | 33.1" | 16.5" | 13.0" | 45.1" | 2.4 | 7.3" | 3.5" | 12.7" | 970lb (440kg) | 86000 | III |
| SYPRC55DT | 12,000lb (5,450kg) | 51.2" | 37.8" | 22.5" | 15.0" | 47.0" | 1.5 | 8.3" | 4.3" | 14.5" | 1,421lb (645kg) | 141000 | IV |
| SYPRC70DT | 15,000lb (6,810kg) | 68.9" | 41.7" | 23.2" | 24.2" | 63.6" | 1.5 | 11.2" | 6.1" | 17.2" | 2,458lb (1,115kg) | 141000 | IV |

Options

Foundry front and back cover

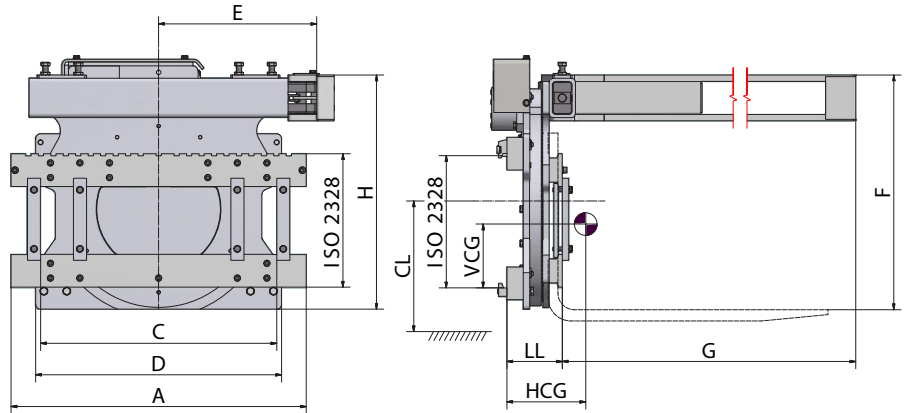
AVAILABLE ON REQUEST

- Foundry kit (front cover, back cover, engine cover)
- Different length of fork bars
- Pin-type fork models
- 180° rotation kit
- Third fork hook

4.3 ROTATORS WITHOUT SIDESHIFTER 360° FOR BINS UPRC-DA

TECHNICAL DETAILS:

- 1 hydraulic functions
- Maximum pressure 2,600 psi
- Recommended oil flow 7 gpm
- Fork bar assembly and locking fork pads included
- Adjustable arm
- Without forks



| Model | Capacity 24" (600mm) Load Center | A | H | CL | C | D | E | F | G | RPM with GPM 8.5 | LL | HCG | VCG | Weight | Torque in/lbs | Mounting Class |
|------------|--|-------|-------|-------|-------|-------|-------------|-------|-------|------------------------|------|------|-------|---------------|------------------|-------------------|
| SYUPRC10DA | 2,200lb (1,000kg) | 35.4" | 27.4" | 12.4" | 8.3" | 32.3" | 18.9"/27.5" | 27.2" | 50.0" | 5.5 | 6.5" | 3.1" | 11.5" | 462lb (210kg) | 35500 | II |
| SYUPRC14DA | 3,000lb (1,365kg) | 35.4" | 27.4" | 12.4" | 8.3" | 32.3" | 18.9"/27.5" | 27.2" | 50.0" | 5.5 | 6.7" | 3.1" | 11.5" | 469lb (213kg) | 35500 | II |
| SYUPRC18DA | 4,000lb (1,815kg) | 35.4" | 27.4" | 12.4" | 8.3" | 32.3" | 18.9"/27.5" | 27.2" | 50.0" | 5.5 | 6.7" | 3.1" | 11.5" | 473lb (215kg) | 35500 | II |
| SYUPRC20DA | 4,500lb (2,045kg) | 40.9" | 27.4" | 12.4" | 8.3" | 35.2" | 18.9"/27.5" | 27.2" | 50.0" | 4.8 | 6.7" | 3.1" | 11.3" | 496lb (225kg) | 49000 | II |
| SYUPRC22DA | 5,000lb (2,270kg) | 45.3" | 31.7" | 16.3" | 12.2" | 40.4" | 18.9"/31.5" | 31.5" | 50.0" | 3.4 | 6.7" | 3.3" | 11.3" | 672lb (305kg) | 60000 | II/III |
| SYUPRC30DA | 6,600lb (3,000kg) | 45.3" | 31.7" | 16.3" | 12.2" | 40.4" | 18.9"/31.5" | 31.5" | 50.0" | 2.8 | 6.9" | 3.3" | 11.3" | 716lb (325kg) | 75000 | III |
| SYUPRC36DA | 7,900lb (3,600kg) | 51.2" | 33.1" | 16.5" | 13.0" | 45.1" | 18.9"/31.5" | 31.5" | 50.0" | 2.4 | 7.3" | 3.5" | 12.7" | 970lb (440kg) | 86000 | III |

Options

Foundry front and back cover

AVAILABLE ON REQUEST

Foundry kit (front cover, back cover, engine cover)

Different length of fork bars

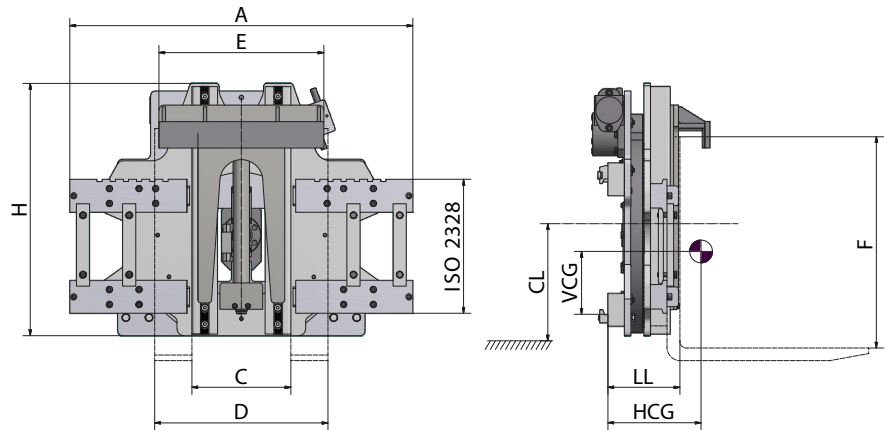
180° rotation kit

Third fork hook

4.4 ROTATORS WITHOUT SIDESHIFTER 360° WITH HYDRAULIC BIN RETAINER RBC

TECHNICAL DETAILS:

- 1 hydraulic functions
- Maximum pressure 2,600 psi
- Recommended oil flow 7 gpm
- Fork bar assembly and locking fork pads included
- Adjustable arm
- Without forks



| Model | Capacity 24" (600mm) Load Center | A | H | CL | C | D | E | F | G | Torque in/lbs | RPM with GPM 8.5 | LL | HCG | VCG | Weight | Mounting Class |
|----------|--|-------|-------|-------|-------|-------|-------|-------------|-------------|------------------|------------------------|-------|------|-------|---------------|-------------------|
| SYRBC.20 | 4,500lb (2,045kg) | 40.9" | 32.9" | 16.3" | 12.6" | 37.8" | 19.7" | 23.2"/39.0" | 24.4"/34.6" | 49,000 | 4.8 | 12.4" | 5.3" | 12.2" | 793lb (360kg) | II |
| SYRBC.30 | 6,600lb (3,000kg) | 45.3" | 32.9" | 16.3" | 12.6" | 42.9" | 19.7" | 23.2"/39.0" | 24.4"/34.6" | 75,000 | 2.8 | 12.4" | 4.8" | 14.1" | 925lb (420kg) | III |

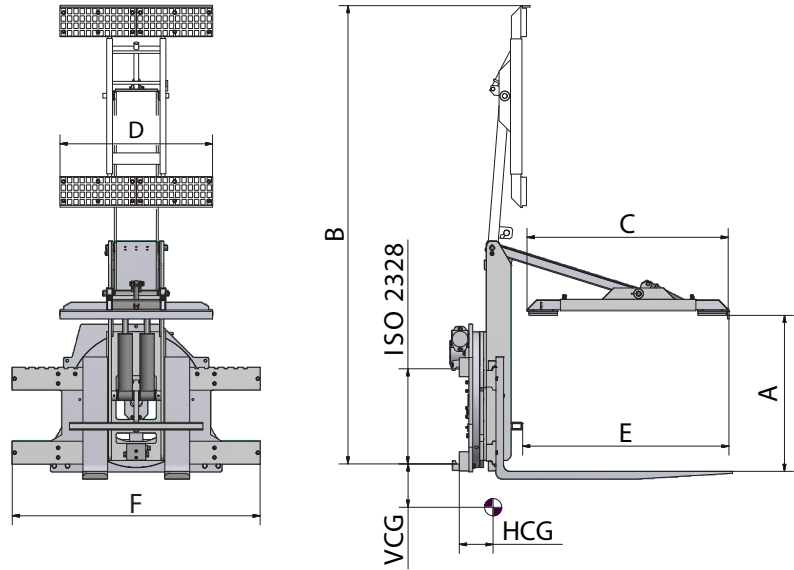
AVAILABLE ON REQUEST

- Different length of fork bars
- 180° rotation kit available
- Separate sideshifting 8"
- Optional horizontal bar

4.5 PLASTIC CONTAINER ROTATORS 360° RLC

TECHNICAL DETAILS:

- 2 hydraulic functions
- Maximum pressure 2,600 psi
- Recommended oil flow 7 gpm
- Without forks



| Model | Capacity 24" (600mm) Load Center | A Opening Range | B | C | D | E | F | LL | HCG | VCG | Weight | Mounting Class |
|---------|--|-----------------------|-------|-------|-------|-------|-------|-------|------|-------|-----------------|-------------------|
| SYRLC10 | 2,200lb (1,000kg) | 13.4"/27.8" | 96.5" | 49.2" | 29.9" | 49.2" | 35.4" | 12.8" | 9.4" | 12.9" | 859lb (390kg) | II |
| SYRLC18 | 4,000lb (1,800kg) | 31.5"/41.3" | 94.5" | 47.2" | 31.5" | 47.2" | 51.2" | 14.2" | 9.8" | 14.0" | 1,058lb (480kg) | III |

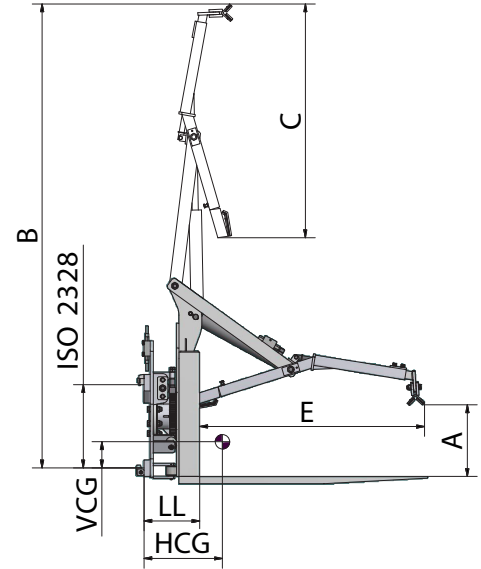
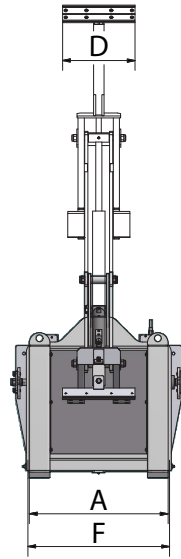
AVAILABLE ON REQUEST

- Different length of fork bars
- 180° rotation kit available
- Separate sideshifting 8"
- Optional horizontal bar

4.6 PLASTIC CONTAINER ROTATORS 180° RLCA

TECHNICAL DETAILS:

- 1 hydraulic function
- Maximum pressure 2,600 psi
- Recommended oil flow 7 gpm
- Includes forks L 47.2"
- Quick-release mountings included



| Model | Capacity 24" (600mm) Load Center | A Opening Range | B | C | D | E | F | LL | HCG | VCG | Weight | Mounting Class |
|----------|--|-----------------------|-------|-------|-------|-------|-------|-------|-------|-------|---------------|----------------|
| SYRLC10A | 1800lb (820kg) | 22.8"/30.7" | 94.5" | 47.2" | 13.8" | 49.2" | 26.4" | 10.6" | 11.4" | 13.3" | 639lb (290kg) | II |



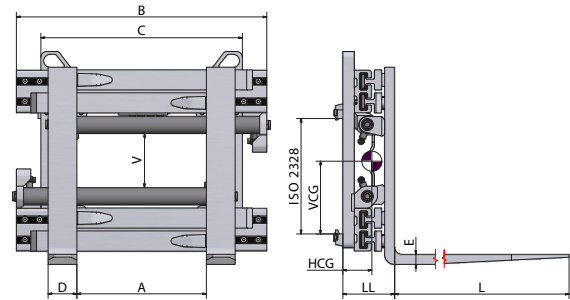
CHAPTER OVERVIEW

| | | | |
|------------|---|---------------|----|
| 5.1 | Fork clamps | <i>HF-T</i> | 39 |
| 5.2 | Rotating fork clamps 360° | <i>HFR</i> | 41 |
| 5.3 | Bale clamps, pulp bale clamps | <i>HB-T</i> | 43 |
| 5.4 | Bale clamps, pulp bale clamps 360° | <i>HBR</i> | 46 |
| 5.5 | Appliance and carton clamps – articulating pads | <i>UHEA-T</i> | 48 |

5.1 FORK CLAMPS HF-T

TECHNICAL DETAILS:

- 2 hydraulic functions
- Maximum pressure 2,600 psi
- Recommended oil flow 7 gpm
- Welded forks
- C – Minimal width lift truck carriage
- Models with integrated sideshifting



| Model | Capacity 24" (600mm) Load Center | A Opening Range | B | Forks LxDxE | C | V | LL | HCG | VCG | Weight | Mounting Class |
|----------------|--|-----------------------|-------|---------------------|-------|------|------|------|------|---------------|-------------------|
| SYHF10-A0T-10 | 1,800lb (820kg) | 17.7" - 63.4" | 34.3" | 39.4" x 4.0" x 1.3" | 29.5" | 7.7" | 7.1" | 7.6" | 6.9" | 687lb (312kg) | II |
| SYHF10-A0T-12 | 1,800lb (820kg) | 17.7" - 63.4" | 34.3" | 47.2" x 4.0" x 1.3" | 29.5" | 7.7" | 7.1" | 7.9" | 6.9" | 709lb (322kg) | II |
| SYHF10-B0T-10* | 1,800lb (820kg) | 14.2" - 59.0" | 37.4" | 39.4" x 4.0" x 1.3" | 29.5" | 7.7" | 7.1" | 7.5" | 6.9" | 709lb (322kg) | II |
| SYHF10-B0T-12* | 1,800lb (820kg) | 14.2" - 59.0" | 37.4" | 47.2" x 4.0" x 1.3" | 29.5" | 7.7" | 7.1" | 7.9" | 6.9" | 731lb (332kg) | II |
| SYHF10-C0T-10* | 1,800lb (820kg) | 14.2" - 63.0" | 41.3" | 39.4" x 4.0" x 1.3" | 29.5" | 7.7" | 7.1" | 7.7" | 6.9" | 731lb (332kg) | II |
| SYHF10-C0T-12* | 1,800lb (820kg) | 14.2" - 63.0" | 41.3" | 47.2" x 4.0" x 1.3" | 29.5" | 7.7" | 7.1" | 8.1" | 6.9" | 753lb (342kg) | II |
| SYHF14-A0T-10 | 2,500lb (1,135kg) | 17.7" - 63.4" | 34.3" | 39.4" x 4.0" x 1.6" | 29.5" | 7.7" | 7.1" | 7.7" | 6.5" | 701lb (318kg) | II |
| SYHF14-A0T-12 | 2,500lb (1,135kg) | 17.7" - 63.4" | 34.3" | 47.2" x 4.0" x 1.6" | 29.5" | 7.7" | 7.1" | 8.1" | 6.5" | 723lb (328kg) | II |
| SYHF14-B0T-10 | 2,500lb (1,135kg) | 17.7" - 66.5" | 37.4" | 39.4" x 4.0" x 1.6" | 29.5" | 7.7" | 7.1" | 7.6" | 6.5" | 712lb (323kg) | II |
| SYHF14-B0T-12 | 2,500lb (1,135kg) | 17.7" - 66.5" | 37.4" | 47.2" x 4.0" x 1.6" | 29.5" | 7.7" | 7.1" | 8.0" | 6.5" | 734lb (333kg) | II |
| SYHF14-C0T-10* | 2,500lb (1,135kg) | 14.2" - 63.0" | 41.3" | 39.4" x 4.0" x 1.6" | 29.5" | 7.7" | 7.1" | 7.5" | 6.5" | 742lb (337kg) | II |
| SYHF14-C0T-12* | 2,500lb (1,135kg) | 14.2" - 63.0" | 41.3" | 47.2" x 4.0" x 1.6" | 29.5" | 7.7" | 7.1" | 7.9" | 6.5" | 764lb (347kg) | II |
| SYHF14-D0T-10 | 2,500lb (1,135kg) | 21.7" - 78.0" | 45.3" | 39.4" x 4.0" x 1.6" | 29.5" | 7.7" | 7.1" | 7.4" | 6.5" | 762lb (346kg) | II |
| SYHF14-D0T-12 | 2,500lb (1,135kg) | 21.7" - 78.0" | 45.3" | 47.2" x 4.0" x 1.6" | 29.5" | 7.7" | 7.1" | 7.8" | 6.5" | 782lb (355kg) | II |
| SYHF18-A0T-10 | 3,500lb (1,590kg) | 18.9" - 66.9" | 37.4" | 39.4" x 4.0" x 1.6" | 29.5" | 7.3" | 7.3" | 8.1" | 6.5" | 756lb (343kg) | II |
| SYHF18-A0T-12 | 3,500lb (1,590kg) | 18.9" - 66.9" | 37.4" | 47.2" x 4.0" x 1.6" | 29.5" | 7.3" | 7.3" | 8.7" | 6.5" | 778lb (353kg) | II |
| SYHF18-B0T-10* | 3,500lb (1,590kg) | 14.2" - 62.2" | 41.3" | 39.4" x 4.0" x 1.6" | 29.5" | 7.3" | 7.3" | 7.3" | 6.5" | 771lb (350kg) | II |
| SYHF18-B0T-12* | 3,500lb (1,590kg) | 14.2" - 62.2" | 41.3" | 47.2" x 4.0" x 1.6" | 29.5" | 7.3" | 7.3" | 8.3" | 6.5" | 793lb (360kg) | II |
| SYHF18-B1T-10 | 3,500lb (1,590kg) | 18.9" - 70.9" | 41.3" | 39.4" x 4.0" x 1.6" | 29.5" | 7.3" | 7.3" | 7.3" | 6.5" | 778lb (353kg) | II |
| SYHF18-B1T-12 | 3,500lb (1,590kg) | 18.9" - 70.9" | 41.3" | 47.2" x 4.0" x 1.6" | 29.5" | 7.3" | 7.3" | 8.3" | 6.5" | 800lb (363kg) | II |
| SYHF18-C0T-10 | 3,500lb (1,590kg) | 18.9" - 74.8" | 45.3" | 39.4" x 4.0" x 1.6" | 29.5" | 7.3" | 7.3" | 7.1" | 6.5" | 789lb (358kg) | II |
| SYHF18-C0T-12 | 3,500lb (1,590kg) | 18.9" - 74.8" | 45.3" | 47.2" x 4.0" x 1.6" | 29.5" | 7.3" | 7.3" | 8.1" | 6.5" | 811lb (368kg) | II |
| SYHF18-D0T-10* | 3,500lb (1,590kg) | 14.2" - 70.1" | 49.2" | 39.4" x 4.0" x 1.6" | 33.5" | 7.3" | 7.3" | 7.0" | 6.5" | 804lb (365kg) | II |
| SYHF18-D0T-12* | 3,500lb (1,590kg) | 14.2" - 70.1" | 49.2" | 47.2" x 4.0" x 1.6" | 33.5" | 7.3" | 7.3" | 8.0" | 6.5" | 826lb (375kg) | II |
| SYHF22-A0T-10 | 4,000lb (1,820kg) | 16.9" - 65.4" | 37.4" | 39.4" x 4.7" x 1.6" | 29.5" | 7.1" | 7.3" | 8.1" | 6.4" | 824lb (374kg) | II/III |
| SYHF22-A0T-12 | 4,000lb (1,820kg) | 16.9" - 65.4" | 37.4" | 47.2" x 4.7" x 1.6" | 29.5" | 7.1" | 7.3" | 9.1" | 6.4" | 846lb (384kg) | II/III |
| SYHF22-B1T-10* | 4,000lb (1,820kg) | 12.6" - 60.6" | 41.3" | 39.4" x 4.7" x 1.6" | 29.5" | 7.1" | 7.3" | 8.1" | 6.4" | 835lb (379kg) | II/III |
| SYHF22-B1T-12* | 4,000lb (1,820kg) | 12.6" - 60.6" | 41.3" | 47.2" x 4.7" x 1.6" | 29.5" | 7.1" | 7.3" | 9.1" | 6.4" | 857lb (389kg) | II/III |
| SYHF22-C0T-10 | 4,000lb (1,820kg) | 17.7" - 74.8" | 41.3" | 39.4" x 4.7" x 1.6" | 29.5" | 7.1" | 7.3" | 8.1" | 6.4" | 848lb (385kg) | II/III |

*Model for Europallet

| Model | Capacity 24" (600mm) Load Center | A Opening Range | B | Forks LxDxE | C | V | LL | HCG | VCG | Weight | Mounting Class |
|----------------|--|-----------------------|-------|---------------------|-------|------|------|-------|-------|-----------------|-------------------|
| SYHF22-C0T-12 | 4,000lb (1,820kg) | 17.7" - 74.8" | 41.3" | 47.2" x 4.7" x 1.6" | 29.5" | 7.1" | 7.3" | 9.1" | 6.4" | 870lb (395kg) | II/III |
| SYHF22-D1T-10* | 4,000lb (1,820kg) | 12.6" - 68.5" | 49.2" | 39.4" x 4.7" x 1.6" | 33.5" | 7.1" | 7.3" | 8.1" | 6.4" | 859lb (390kg) | II/III |
| SYHF22-D1T-12* | 4,000lb (1,820kg) | 12.6" - 68.5" | 49.2" | 47.2" x 4.7" x 1.6" | 33.5" | 7.1" | 7.3" | 9.1" | 6.4" | 881lb (400kg) | II/III |
| SYHF26-A0T-10 | 5,000lb (2,270kg) | 17.7" - 70.9" | 41.3" | 39.4" x 4.7" x 1.8" | 33.5" | 7.1" | 7.5" | 7.9" | 6.9" | 903lb (410kg) | III |
| SYHF26-A0T-12 | 5,000lb (2,270kg) | 17.7" - 70.9" | 41.3" | 47.2" x 4.7" x 1.8" | 33.5" | 7.1" | 7.5" | 8.9" | 6.9" | 925lb (420kg) | III |
| SYHF26-B1T-10* | 5,000lb (2,270kg) | 12.6" - 64.6" | 45.3" | 39.4" x 4.7" x 1.8" | 33.5" | 7.1" | 7.5" | 7.7" | 6.9" | 919lb (417kg) | III |
| SYHF26-B1T-12* | 5,000lb (2,270kg) | 12.6" - 64.6" | 45.3" | 47.2" x 4.7" x 1.8" | 33.5" | 7.1" | 7.5" | 8.7" | 6.9" | 941lb (427kg) | III |
| SYHF26-C0T-10 | 5,000lb (2,270kg) | 17.3" - 78.0" | 49.2" | 39.4" x 4.7" x 1.8" | 33.5" | 7.1" | 7.5" | 7.6" | 6.9" | 936lb (425kg) | III |
| SYHF26-C0T-12 | 5,000lb (2,270kg) | 17.3" - 78.0" | 49.2" | 47.2" x 4.7" x 1.8" | 33.5" | 7.1" | 7.5" | 8.5" | 6.9" | 958lb (435kg) | III |
| SYHF26-D1T-10* | 5,000lb (2,270kg) | 12.6" - 71.3" | 52.0" | 39.4" x 4.7" x 1.8" | 33.5" | 7.1" | 7.5" | 7.5" | 6.9" | 952lb (432kg) | III |
| SYHF26-D1T-12* | 5,000lb (2,270kg) | 12.6" - 71.3" | 52.0" | 47.2" x 4.7" x 1.8" | 33.5" | 7.1" | 7.5" | 12.3" | 6.9" | 976lb (443kg) | III |
| SYHF30-A0T-10* | 5,500lb (2,500kg) | 12.6" - 63.8" | 45.3" | 39.4" x 4.7" x 2.0" | 33.5" | 6.9" | 8.9" | 7.3" | 7.8" | 1,388lb (630kg) | III |
| SYHF30-A0T-12* | 5,500lb (2,500kg) | 12.6" - 63.8" | 45.3" | 47.2" x 4.7" x 2.0" | 33.5" | 6.9" | 8.9" | 8.5" | 7.8" | 1,421lb (645kg) | III |
| SYHF30-B0T-10 | 5,500lb (2,500kg) | 17.7" - 77.6" | 49.2" | 39.4" x 4.7" x 2.0" | 33.5" | 6.9" | 8.9" | 7.2" | 7.8" | 1,417lb (643kg) | III |
| SYHF30-B0T-12 | 5,500lb (2,500kg) | 17.7" - 77.6" | 49.2" | 47.2" x 4.7" x 2.0" | 33.5" | 6.9" | 8.9" | 8.3" | 7.8" | 1,450lb (658kg) | III |
| SYHF30-C0T-10* | 5,500lb (2,500kg) | 12.6" - 70.1" | 52.0" | 39.4" x 4.7" x 2.0" | 33.5" | 6.9" | 8.9" | 7.1" | 7.8" | 1,444lb (655kg) | III |
| SYHF30-C0T-12* | 5,500lb (2,500kg) | 12.6" - 70.1" | 52.0" | 47.2" x 4.7" x 2.0" | 33.5" | 6.9" | 8.9" | 8.3" | 7.8" | 1,477lb (670kg) | III |
| SYHF35-A0T-10* | 6,500lb (2,950kg) | 12.6" - 63.8" | 45.3" | 39.4" x 4.7" x 2.0" | 33.5" | 6.7" | 8.9" | 7.3" | 7.9" | 1,399lb (635kg) | III |
| SYHF35-A0T-12* | 6,500lb (2,950kg) | 12.6" - 63.8" | 45.3" | 47.2" x 4.7" x 2.0" | 33.5" | 6.7" | 8.9" | 8.5" | 7.9" | 1,432lb (650kg) | III |
| SYHF35-B0T-10* | 6,500lb (2,950kg) | 12.6" - 70.5" | 52.0" | 39.4" x 4.7" x 2.0" | 33.5" | 6.7" | 8.9" | 7.1" | 7.9" | 1,455lb (660kg) | III |
| SYHF35-B0T-12* | 6,500lb (2,950kg) | 12.6" - 70.5" | 52.0" | 47.2" x 4.7" x 2.0" | 33.5" | 6.7" | 8.9" | 8.3" | 7.9" | 1,488lb (675kg) | III |
| SYHF35-C0T-10 | 6,500lb (2,950kg) | 17.7" - 85.8" | 57.1" | 39.4" x 4.7" x 2.0" | 39.4" | 6.7" | 8.9" | 7.0" | 7.9" | 1,496lb (679kg) | III |
| SYHF35-C0T-12 | 6,500lb (2,950kg) | 17.7" - 85.8" | 57.1" | 47.2" x 4.7" x 2.0" | 39.4" | 6.7" | 8.9" | 8.1" | 7.9" | 1,527lb (693kg) | III |
| SYHF40-A0T-12* | 7,300lb (3,320kg) | 10.2" - 61.4" | 45.3" | 47.2" x 6.0" x 2.3" | 35.4" | 6.5" | 9.5" | 8.7" | 9.5" | 1,587lb (720kg) | III |
| SYHF40-B0T-12 | 7,300lb (3,320kg) | 17.7" - 80.7" | 52.0" | 47.2" x 6.0" x 2.3" | 39.4" | 6.5" | 9.5" | 8.3" | 9.5" | 1,664lb (755kg) | III |
| SYHF40-C0T-12 | 7,300lb (3,320kg) | 17.7" - 85.8" | 57.1" | 47.2" x 6.0" x 2.3" | 41.3" | 6.5" | 9.5" | 8.0" | 9.5" | 1,752lb (795kg) | III |
| SYHF45-A0T-12 | 8,300lb (3,770kg) | 13.8" - 77.6" | 57.1" | 47.2" x 6.0" x 2.3" | 41.3" | 8.3" | 9.6" | 8.2" | 10.5" | 1,785lb (810kg) | IV |
| SYHF45-B0T-12 | 8,300lb (3,770kg) | 11.8" - 78.7" | 66.9" | 47.2" x 6.0" x 2.3" | 41.3" | 8.3" | 9.6" | 8.1" | 10.5" | 1,917lb (870kg) | IV |

*Model for Europallet

Options

| | |
|---|--|
| For models without sideshifting | Quick-release lower mountings, Class II or Class III |
| Separate sideshifting 8" mounting Class II | Quick-release lower mountings, Class IV |
| Separate sideshifting 8" mounting Class III | Double max pressure control valve |
| Separate sideshifting 8" mounting Class IV | Frame bumper |

2 hydraulic functions – Independent arm control

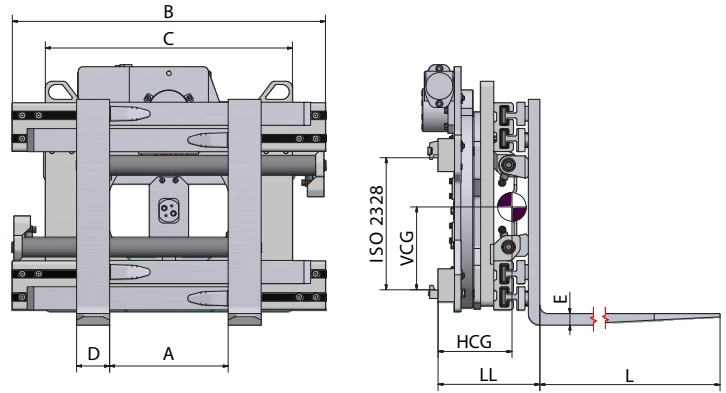
AVAILABLE ON REQUEST

Different fork lengths
Bolted forks
Class B mounting forks

5.2 ROTATING FORK CLAMPS 360° HFR

TECHNICAL DETAILS:

- 2 hydraulic functions
- Maximum pressure 2,600 psi
- Recommended oil flow 7 gpm
- Welded forks
- C – Minimal width lift truck carriage



| Model | Capacity 24" (600mm) Load Center | A Opening Range | B | Forks LxDxE | C | V | LL | HCG | VCG | Weight | Mounting Class |
|----------------|--|-----------------------|-------|---------------------|-------|------|-------|-------|-------|-----------------|-------------------|
| SYHFR10-B0-12* | 1,800lb (820kg) | 14.2" - 59.1" | 37.4" | 47.2" x 4.0" x 1.3" | 29.5" | 7.7" | 12.2" | 8.1" | 10.8" | 1,146lb (520kg) | II |
| SYHFR10-C0-12* | 1,800lb (820kg) | 14.2" - 63.0" | 41.3" | 47.2" x 4.0" x 1.3" | 29.5" | 7.7" | 12.2" | 7.9" | 10.8" | 1,168lb (530kg) | II |
| SYHFR14-B0-12 | 2,500lb (1,135kg) | 17.7" - 66.5" | 37.4" | 47.2" x 4.0" x 1.6" | 29.5" | 7.7" | 12.4" | 8.2" | 10.8" | 1,190lb (540kg) | II |
| SYHFR14-C0-12* | 2,500lb (1,135kg) | 14.2" - 63.0" | 41.3" | 47.2" x 4.0" x 1.6" | 29.5" | 7.7" | 12.4" | 8.1" | 10.8" | 1,212lb (550kg) | II |
| SYHFR14-D0-12 | 2,500lb (1,135kg) | 21.7" - 78.0" | 45.3" | 47.2" x 4.0" x 1.6" | 29.5" | 7.7" | 12.4" | 8.2" | 10.8" | 1,234lb (560kg) | II |
| SYHFR18-A0-12 | 3,500lb (1,590kg) | 18.9" - 66.9" | 37.4" | 47.2" x 4.0" x 1.6" | 29.5" | 7.3" | 12.2" | 8.2" | 10.5" | 1,190lb (540kg) | II |
| SYHFR18-B0-12* | 3,500lb (1,590kg) | 14.2" - 62.2" | 41.3" | 47.2" x 4.0" x 1.6" | 29.5" | 7.3" | 12.2" | 8.3" | 10.5" | 1,212lb (550kg) | II |
| SYHFR18-B1-12 | 3,500lb (1,590kg) | 18.9" - 70.9" | 41.3" | 47.2" x 4.0" x 1.6" | 29.5" | 7.3" | 12.2" | 8.3" | 10.5" | 1,212lb (550kg) | II |
| SYHFR18-C0-12 | 3,500lb (1,590kg) | 18.9" - 75.6" | 45.3" | 47.2" x 4.0" x 1.6" | 29.5" | 7.3" | 12.2" | 8.4" | 10.5" | 1,234lb (560kg) | II |
| SYHFR18-D0-12* | 3,500lb (1,590kg) | 14.2" - 70.1" | 49.2" | 47.2" x 4.0" x 1.6" | 29.5" | 7.3" | 12.2" | 9.0" | 10.5" | 1,256lb (570kg) | II |
| SYHFR22-A0-12 | 4,000lb (1,820kg) | 16.9" - 65.4" | 37.4" | 47.2" x 4.7" x 1.6" | 29.5" | 7.1" | 12.2" | 8.9" | 10.6" | 1,256lb (570kg) | II/III |
| SYHFR22-B1-12* | 4,000lb (1,820kg) | 12.6" - 60.6" | 41.3" | 47.2" x 4.7" x 1.6" | 29.5" | 7.1" | 12.2" | 9.1" | 10.6" | 1,278lb (580kg) | II/III |
| SYHFR22-C0-12 | 4,000lb (1,820kg) | 17.7" - 74.8" | 45.3" | 47.2" x 4.7" x 1.6" | 29.5" | 7.1" | 12.2" | 9.3" | 10.6" | 1,300lb (590kg) | II/III |
| SYHFR22-D1-12* | 4,000lb (1,820kg) | 12.6" - 68.5" | 49.2" | 47.2" x 4.7" x 1.6" | 29.5" | 7.1" | 12.2" | 9.6" | 10.6" | 1,322lb (600kg) | II/III |
| SYHFR26-A0-12 | 5,000lb (2,270kg) | 17.7" - 70.9" | 41.3" | 47.2" x 4.7" x 1.8" | 35.4" | 7.1" | 12.5" | 8.6" | 9.9" | 1,496lb (679kg) | III |
| SYHFR26-B1-12* | 5,000lb (2,270kg) | 12.6" - 65.4" | 45.3" | 47.2" x 4.7" x 1.8" | 35.4" | 7.1" | 12.5" | 8.7" | 9.9" | 1,514lb (687kg) | III |
| SYHFR26-C0-12 | 5,000lb (2,270kg) | 17.7" - 78.7" | 49.2" | 47.2" x 4.7" x 1.8" | 35.4" | 7.1" | 12.5" | 9.0" | 9.9" | 1,532lb (695kg) | III |
| SYHFR26-D1-12* | 5,000lb (2,270kg) | 12.6" - 71.3" | 52.0" | 47.2" x 4.7" x 1.8" | 35.4" | 7.1" | 12.5" | 9.3" | 9.9" | 1,549lb (703kg) | III |
| SYHFR30-A0-12* | 5,500lb (2,500kg) | 12.6" - 63.8" | 45.3" | 47.2" x 4.7" x 2.0" | 35.4" | 6.9" | 13.9" | 9.7" | 10.2" | 1,552lb (704kg) | III |
| SYHFR30-B0-12 | 5,500lb (2,500kg) | 17.7" - 77.6" | 49.2" | 47.2" x 4.7" x 2.0" | 35.4" | 6.9" | 13.9" | 9.8" | 10.2" | 1,576lb (715kg) | III |
| SYHFR30-C0-12* | 5,500lb (2,500kg) | 12.6" - 70.1" | 52.0" | 47.2" x 4.7" x 2.0" | 35.4" | 6.9" | 13.9" | 10.1" | 10.2" | 1,598lb (725kg) | III |
| SYHFR35-A0-12* | 6,500lb (2,950kg) | 12.6" - 63.8" | 45.3" | 47.2" x 4.7" x 2.0" | 41.3" | 6.7" | 14.4" | 9.8" | 10.5" | 1,940lb (880kg) | III |
| SYHFR35-B0-12* | 6,500lb (2,950kg) | 12.6" - 70.5" | 52.0" | 47.2" x 4.7" x 2.0" | 41.3" | 6.7" | 14.4" | 9.8" | 10.5" | 1,995lb (905kg) | III |

*Model for Europallet

| Model | Capacity 24" (600mm) Load Center | A Opening Range | B | Forks LxDxE | C | V | LL | HCG | VCG | Weight | Mounting Class |
|----------------|--|-----------------------|-------|---------------------|-------|------|-------|-------|-------|-------------------|-------------------|
| SYHFR35-C0-12 | 6,500lb (2,950kg) | 17.7" - 85.8" | 57.1" | 47.2" x 4.7" x 2.0" | 41.3" | 6.7" | 14.4" | 10.0" | 10.5" | 2,034lb (923kg) | III |
| SYHFR40-A0-12* | 7,300lb (3,320kg) | 10.2" - 61.4" | 45.3" | 47.2" x 6.0" x 2.3" | 41.3" | 6.5" | 15.0" | 10.1" | 11.0" | 2,094lb (950kg) | III |
| SYHFR40-B0-12 | 7,300lb (3,320kg) | 17.7" - 80.7" | 52.0" | 47.2" x 6.0" x 2.3" | 41.3" | 6.5" | 15.0" | 10.2" | 11.0" | 2,171lb (985kg) | III |
| SYHFR40-C0-12 | 7,300lb (3,320kg) | 17.7" - 85.8" | 57.1" | 47.2" x 6.0" x 2.3" | 41.3" | 6.5" | 15.0" | 10.4" | 11.0" | 2,259lb (1,025kg) | III |
| SYHFR45-A0-12 | 8,300lb (3,770kg) | 13.8" - 77.6" | 57.1" | 47.2" x 6.0" x 2.3" | 48.4" | 8.3" | 15.9" | 10.4" | 11.5" | 2,689lb (1,220kg) | IV |
| SYHFR45-B0-12 | 8,300lb (3,770kg) | 17.7" - 91.3" | 63.0" | 47.2" x 6.0" x 2.3" | 48.4" | 8.3" | 15.9" | 10.8" | 11.5" | 2,821lb (1,280kg) | IV |

*Model for Europallet

| Options | |
|--|---|
| Separate sideshifting 8" mounting Class II | Quick-release lower mountings, Class IV |
| Separate sideshifting 8" mounting Class III | Double max pressure control valve |
| Separate sideshifting 8" mounting Class IV | Frame bumper |
| Quick-release lower mountings, Class II or Class III | |

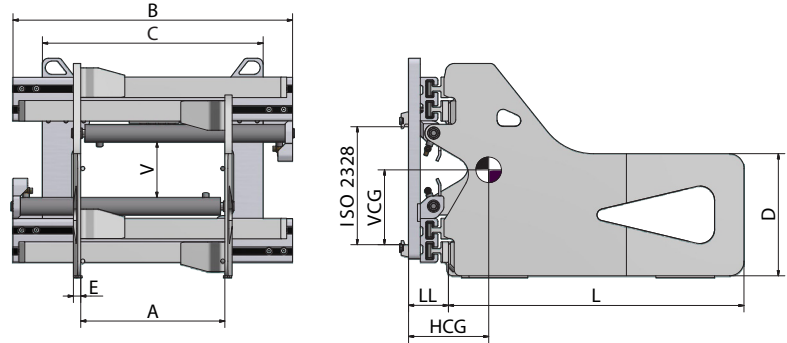
AVAILABLE ON REQUEST

- Different fork lengths
- Bolted forks
- Class B mounting forks

5.3 BALE CLAMPS, PULP BALE CLAMPS HB-T

TECHNICAL DETAILS:

- Clamps also suitable to handle pulp bales
- 2 hydraulic functions
- Maximum pressure 2,600 psi
- Recommended oil flow 7 gpm
- C – Minimal width lift truck carriage
- Models with integrated sideshifting



| Model | Capacity 24" (600mm) Load Center | A Opening Range | B | Forks LxDxE | C | V | LL | HCG | VCG | Weight | Mounting Class |
|---------------|--|-----------------------|-------|----------------------|-------|------|------|-------|------|-----------------|-------------------|
| SYHB10-A0T-09 | 1,800lb (820kg) | 17.7" - 62.5" | 37.4" | 35.4" x 15.7" x 1.0" | 29.5" | 7.7" | 5.2" | 9.4" | 8.3" | 813lb (369kg) | II |
| SYHB10-A0T-10 | 1,800lb (820kg) | 17.7" - 62.5" | 37.4" | 39.4" x 15.7" x 1.0" | 29.5" | 7.7" | 5.2" | 11.4" | 8.3" | 857lb (389kg) | II |
| SYHB10-A1T-09 | 1,800lb (820kg) | 21.7" - 70.5" | 37.4" | 35.4" x 15.7" x 1.0" | 29.5" | 7.7" | 5.2" | 6.5" | 8.3" | 826lb (375kg) | II |
| SYHB10-A1T-10 | 1,800lb (820kg) | 21.7" - 70.5" | 37.4" | 39.4" x 15.7" x 1.0" | 29.5" | 7.7" | 5.2" | 11.4" | 8.3" | 868lb (394kg) | II |
| SYHB14-A0T-09 | 2,500lb (1,135kg) | 21.7" - 70.5" | 37.4" | 35.4" x 15.7" x 1.0" | 29.5" | 7.7" | 5.2" | 9.5" | 8.4" | 846lb (384kg) | II |
| SYHB14-A0T-10 | 2,500lb (1,135kg) | 21.7" - 70.5" | 37.4" | 39.4" x 15.7" x 1.0" | 29.5" | 7.7" | 5.2" | 11.4" | 8.4" | 892lb (405kg) | II |
| SYHB14-B0T-09 | 2,500lb (1,135kg) | 17.7" - 66.5" | 41.3" | 35.4" x 15.7" x 1.0" | 29.5" | 7.7" | 5.2" | 9.3" | 8.4" | 859lb (390kg) | II |
| SYHB14-B0T-10 | 2,500lb (1,135kg) | 17.7" - 66.5" | 41.3" | 39.4" x 15.7" x 1.0" | 29.5" | 7.7" | 5.2" | 11.2" | 8.4" | 925lb (420kg) | II |
| SYHB14-C0T-09 | 2,500lb (1,135kg) | 17.7" - 70.5" | 45.3" | 35.4" x 15.7" x 1.0" | 29.5" | 7.7" | 5.2" | 9.1" | 8.4" | 903lb (410kg) | II |
| SYHB14-C0T-10 | 2,500lb (1,135kg) | 17.7" - 70.5" | 45.3" | 39.4" x 15.7" x 1.0" | 29.5" | 7.7" | 5.2" | 11.1" | 8.4" | 947lb (430kg) | II |
| SYHB14-C1T-09 | 2,500lb (1,135kg) | 25.6" - 86.2" | 45.3" | 35.4" x 15.7" x 1.0" | 29.5" | 7.7" | 5.2" | 9.1" | 8.4" | 925lb (420kg) | II |
| SYHB14-C1T-10 | 2,500lb (1,135kg) | 25.6" - 86.2" | 45.3" | 39.4" x 15.7" x 1.0" | 29.5" | 7.7" | 5.2" | 11.1" | 8.4" | 970lb (440kg) | II |
| SYHB18-A0T-10 | 3,500lb (1,590kg) | 22.0" - 70.1" | 37.4" | 39.4" x 15.7" x 1.2" | 29.5" | 7.3" | 5.3" | 10.1" | 9.2" | 987lb (448kg) | II |
| SYHB18-A0T-12 | 3,500lb (1,590kg) | 22.0" - 70.1" | 37.4" | 47.2" x 15.7" x 1.2" | 29.5" | 7.3" | 5.3" | 11.9" | 9.2" | 1047lb (475kg) | II |
| SYHB18-B0T-10 | 3,500lb (1,590kg) | 18.1" - 66.1" | 41.3" | 39.4" x 15.7" x 1.2" | 29.5" | 7.3" | 5.3" | 9.8" | 9.2" | 1,014lb (460kg) | II |
| SYHB18-B0T-12 | 3,500lb (1,590kg) | 18.1" - 66.1" | 41.3" | 47.2" x 15.7" x 1.2" | 29.5" | 7.3" | 5.3" | 11.5" | 9.2" | 1,069lb (485kg) | II |
| SYHB18-C0T-10 | 3,500lb (1,590kg) | 22.0" - 80.0" | 45.3" | 39.4" x 15.7" x 1.2" | 29.5" | 7.3" | 5.3" | 9.6" | 9.2" | 1,042lb (473kg) | II |
| SYHB18-C0T-12 | 3,500lb (1,590kg) | 22.0" - 80.0" | 45.3" | 47.2" x 15.7" x 1.2" | 29.5" | 7.3" | 5.3" | 11.2" | 9.2" | 1,119lb (508kg) | II |
| SYHB18-D0T-10 | 3,500lb (1,590kg) | 18.1" - 74.0" | 49.2" | 39.4" x 15.7" x 1.2" | 33.5" | 7.3" | 5.3" | 9.4" | 9.2" | 1,082lb (491kg) | II |
| SYHB18-D0T-12 | 3,500lb (1,590kg) | 18.1" - 74.0" | 49.2" | 47.2" x 15.7" x 1.2" | 33.5" | 7.3" | 5.3" | 10.9" | 9.2" | 1,139lb (517kg) | II |
| SYHB22-A0T-10 | 4,000lb (1,820kg) | 22.4" - 70.9" | 37.4" | 39.4" x 15.7" x 1.2" | 29.5" | 7.1" | 5.3" | 9.8" | 9.4" | 972lb (441kg) | II |
| SYHB22-A0T-12 | 4,000lb (1,820kg) | 22.4" - 70.9" | 37.4" | 47.2" x 15.7" x 1.2" | 29.5" | 7.1" | 5.3" | 10.8" | 9.4" | 1,042lb (473kg) | II |
| SYHB22-B0T-10 | 4,000lb (1,820kg) | 26.0" - 81.9" | 41.3" | 39.4" x 15.7" x 1.2" | 29.5" | 7.1" | 5.3" | 9.6" | 9.4" | 1,036lb (470kg) | II |
| SYHB22-B0T-12 | 4,000lb (1,820kg) | 26.0" - 81.9" | 41.3" | 47.2" x 15.7" x 1.2" | 29.5" | 7.1" | 5.3" | 10.6" | 9.4" | 1,097lb (498kg) | II |

| Model | Capacity 24" (600mm) Load Center | A Opening Range | B | Forks LxDxE | C | V | LL | HCG | VCG | Weight | Mounting Class |
|---------------|--|-----------------------|-------|----------------------|-------|------|------|-------|-------|-------------------|-------------------|
| SYHB22-C0T-10 | 4,000lb (1,820kg) | 22.0" - 80.0" | 45.3" | 39.4" x 15.7" x 1.2" | 29.5" | 7.1" | 5.3" | 9.5" | 9.4" | 1,062lb (482kg) | II |
| SYHB22-C0T-12 | 4,000lb (1,820kg) | 22.0" - 80.0" | 45.3" | 47.2" x 15.7" x 1.2" | 29.5" | 7.1" | 5.3" | 10.4" | 9.4" | 1,117lb (507kg) | II |
| SYHB22-D0T-10 | 4,000lb (1,820kg) | 22.4" - 82.7" | 49.2" | 39.4" x 15.7" x 1.2" | 33.5" | 7.1" | 5.3" | 9.4" | 9.4" | 1,086lb (493kg) | II |
| SYHB22-D0T-12 | 4,000lb (1,820kg) | 22.4" - 82.7" | 49.2" | 47.2" x 15.7" x 1.2" | 33.5" | 7.1" | 5.3" | 10.3" | 9.4" | 1,148lb (521kg) | II |
| SYHB26-A0T-10 | 5,000lb (2,270kg) | 21.7" - 73.2" | 41.3" | 39.4" x 15.7" x 1.2" | 29.5" | 7.1" | 5.4" | 10.4" | 9.4" | 1,036lb (470kg) | II/III |
| SYHB26-A0T-12 | 5,000lb (2,270kg) | 21.7" - 73.2" | 41.3" | 47.2" x 15.7" x 1.2" | 29.5" | 7.1" | 5.4" | 10.8" | 9.4" | 1,084lb (492kg) | II/III |
| SYHB26-B0T-10 | 5,000lb (2,270kg) | 26.4" - 86.6" | 45.3" | 39.4" x 15.7" x 1.2" | 29.5" | 7.1" | 5.4" | 10.2" | 9.4" | 1,067lb (484kg) | II/III |
| SYHB26-B0T-12 | 5,000lb (2,270kg) | 26.4" - 86.6" | 45.3" | 47.2" x 15.7" x 1.2" | 29.5" | 7.1" | 5.4" | 10.5" | 9.4" | 1,122lb (509kg) | II/III |
| SYHB26-C0T-10 | 5,000lb (2,270kg) | 20.9" - 79.5" | 49.2" | 39.4" x 15.7" x 1.2" | 33.5" | 7.1" | 5.4" | 10.0" | 9.4" | 1,095lb (497kg) | II/III |
| SYHB26-C0T-12 | 5,000lb (2,270kg) | 20.9" - 79.5" | 49.2" | 47.2" x 15.7" x 1.2" | 33.5" | 7.1" | 5.4" | 10.3" | 9.4" | 1,150lb (522kg) | II/III |
| SYHB26-D0T-10 | 5,000lb (2,270kg) | 26.4" - 91.3" | 52.0" | 39.4" x 15.7" x 1.2" | 33.5" | 7.1" | 5.4" | 9.6" | 9.4" | 1,113lb (505kg) | II/III |
| SYHB26-D0T-12 | 5,000lb (2,270kg) | 26.4" - 91.3" | 52.0" | 47.2" x 15.7" x 1.2" | 33.5" | 7.1" | 5.4" | 10.0" | 9.4" | 1,168lb (530kg) | II/III |
| SYHB30-A0T-12 | 5,500lb (2,500kg) | 24.4" - 82.3" | 45.3" | 47.2" x 15.7" x 1.3" | 33.5" | 6.9" | 6.4" | 12.0" | 9.8" | 1,752lb (795kg) | III |
| SYHB30-A0T-14 | 5,500lb (2,500kg) | 24.4" - 82.3" | 45.3" | 55.1" x 15.7" x 1.3" | 33.5" | 6.9" | 6.4" | 13.7" | 9.8" | 1,807lb (820kg) | III |
| SYHB30-B0T-12 | 5,500lb (2,500kg) | 20.5" - 78.3" | 49.2" | 47.2" x 15.7" x 1.3" | 33.5" | 6.9" | 6.4" | 11.8" | 9.8" | 1,781lb (808kg) | III |
| SYHB30-B0T-14 | 5,500lb (2,500kg) | 20.5" - 78.3" | 49.2" | 55.1" x 15.7" x 1.3" | 33.5" | 6.9" | 6.4" | 13.4" | 9.8" | 1,847lb (838kg) | III |
| SYHB30-C0T-12 | 5,500lb (2,500kg) | 25.2" - 90.5" | 52.0" | 47.2" x 15.7" x 1.3" | 33.5" | 6.9" | 6.4" | 11.6" | 9.8" | 1,814lb (823kg) | III |
| SYHB30-C0T-14 | 5,500lb (2,500kg) | 25.2" - 90.5" | 52.0" | 55.1" x 15.7" x 1.3" | 33.5" | 6.9" | 6.4" | 13.1" | 9.8" | 1,882lb (854kg) | III |
| SYHB35-A0T-12 | 6,500lb (2,950kg) | 16.9" - 68.1" | 45.3" | 47.2" x 15.7" x 1.3" | 35.4" | 6.7" | 6.5" | 12.1" | 10.2" | 1,856lb (842kg) | III |
| SYHB35-A0T-14 | 6,500lb (2,950kg) | 16.9" - 68.1" | 45.3" | 55.1" x 15.7" x 1.3" | 35.4" | 6.7" | 6.5" | 13.8" | 10.2" | 1,911lb (867kg) | III |
| SYHB35-B0T-12 | 6,500lb (2,950kg) | 27.2" - 95.3" | 52.0" | 47.2" x 15.7" x 1.3" | 39.4" | 6.7" | 6.5" | 11.6" | 10.2" | 1,878lb (852kg) | III |
| SYHB35-B0T-14 | 6,500lb (2,950kg) | 27.2" - 95.3" | 52.0" | 55.1" x 15.7" x 1.3" | 39.4" | 6.7" | 6.5" | 13.3" | 10.2" | 1,948lb (884kg) | III |
| SYHB35-C0T-12 | 6,500lb (2,950kg) | 22.0" - 90.2" | 57.1" | 47.2" x 15.7" x 1.3" | 39.4" | 6.7" | 6.5" | 11.4" | 10.2" | 1,915lb (869kg) | III |
| SYHB35-C0T-14 | 6,500lb (2,950kg) | 22.0" - 90.2" | 57.1" | 55.1" x 15.7" x 1.3" | 39.4" | 6.7" | 6.5" | 13.0" | 10.2" | 1,977lb (897kg) | III |
| SYHB42-A0T-12 | 7,700lb (3,500kg) | 23.6" - 81.5" | 45.3" | 47.2" x 15.7" x 1.3" | 35.4" | 6.5" | 6.8" | 11.7" | 10.4" | 2,052lb (931kg) | III |
| SYHB42-A0T-14 | 7,700lb (3,500kg) | 23.6" - 81.5" | 45.3" | 55.1" x 17.7" x 1.6" | 35.4" | 6.5" | 6.8" | 13.3" | 10.4" | 2,127lb (965kg) | III |
| SYHB42-A0T-16 | 7,700lb (3,500kg) | 23.6" - 81.5" | 45.3" | 63.0" x 17.7" x 1.6" | 35.4" | 6.5" | 6.8" | 14.9" | 10.4" | 2,186lb (992kg) | III |
| SYHB42-B0T-12 | 7,700lb (3,500kg) | 22.0" - 85.0" | 52.0" | 47.2" x 17.7" x 1.6" | 39.4" | 6.5" | 6.8" | 11.5" | 10.4" | 2,114lb (959kg) | III |
| SYHB42-B0T-14 | 7,700lb (3,500kg) | 22.0" - 85.0" | 52.0" | 55.1" x 17.7" x 1.6" | 39.4" | 6.5" | 6.8" | 13.0" | 10.4" | 2,175lb (987kg) | III |
| SYHB42-B0T-16 | 7,700lb (3,500kg) | 22.0" - 85.0" | 52.0" | 63.0" x 17.7" x 1.6" | 39.4" | 6.5" | 6.8" | 14.6" | 10.4" | 2,239lb (1,016kg) | III |
| SYHB42-C0T-12 | 7,700lb (3,500kg) | 26.8" - 98.4" | 57.1" | 47.2" x 17.7" x 1.6" | 41.3" | 6.5" | 6.8" | 11.3" | 10.4" | 2,182lb (990kg) | III |
| SYHB42-C0T-14 | 7,700lb (3,500kg) | 26.8" - 98.4" | 57.1" | 55.1" x 17.7" x 1.6" | 41.3" | 6.5" | 6.8" | 12.8" | 10.4" | 2,255lb (1,023kg) | III |
| SYHB42-C0T-16 | 7,700lb (3,500kg) | 26.8" - 98.4" | 57.1" | 63.0" x 17.7" x 1.6" | 41.3" | 6.5" | 6.8" | 14.4" | 10.4" | 2,334lb (1,059kg) | III |
| SYHB45-A0T-12 | 9,500lb (4,300kg) | 23.6" - 91.3" | 57.1" | 47.2" x 17.7" x 1.6" | 41.3" | 8.3" | 7.1" | 11.5" | 12.9" | 2,270lb (1,030kg) | IV |
| SYHB45-A0T-14 | 9,500lb (4,300kg) | 23.6" - 91.3" | 57.1" | 55.1" x 17.7" x 1.6" | 41.3" | 8.3" | 7.1" | 13.0" | 12.9" | 2,356lb (1,069kg) | IV |
| SYHB45-A0T-16 | 9,500lb (4,300kg) | 23.6" - 91.3" | 57.1" | 63.0" x 17.7" x 1.6" | 41.3" | 8.3" | 7.1" | 14.2" | 12.9" | 2,447lb (1,110kg) | IV |

CLAMPS

| Model | Capacity 24" (600mm) Load Center | A Opening Range | B | Forks LxDxE | C | V | LL | HCG | VCG | Weight | Mounting Class |
|---------------|--|-----------------------|-------|----------------------|-------|------|------|-------|-------|-------------------|-------------------|
| SYHB10-A0T-09 | 9,500lb (4,300kg) | 27.6" - 105.1" | 63.0" | 47.2" x 17.7" x 1.6" | 41.3" | 8.3" | 7.1" | 11.4" | 12.9" | 2,319lb (1,052kg) | IV |
| SYHB10-A0T-10 | 9,500lb (4,300kg) | 27.6" - 105.1" | 63.0" | 55.1" x 17.7" x 1.6" | 41.3" | 8.3" | 7.1" | 12.8" | 12.9" | 2,398lb (1,088kg) | IV |
| SYHB10-A1T-09 | 9,500lb (4,300kg) | 27.6" - 105.1" | 63.0" | 63.0" x 17.7" x 1.6" | 41.3" | 8.3" | 7.1" | 14.0" | 12.9" | 2,488lb (1,129kg) | IV |
| SYHB10-A1T-10 | 13,000lb (5,900kg) | 24.8" - 98.8" | 63.0" | 55.1" x 19.7" x 1.8" | 41.3" | 5.9" | 9.6" | 12.6" | 13.9" | 2,854lb (1,295kg) | IV |
| SYHB14-A0T-09 | 13,000lb (5,900kg) | 24.8" - 98.8" | 63.0" | 63.0" x 19.7" x 1.8" | 41.3" | 5.9" | 9.6" | 14.4" | 13.9" | 2,998lb (1,360kg) | IV |
| SYHB14-A0T-10 | 13,000lb (5,900kg) | 28.0" - 113.0" | 70.9" | 55.1" x 19.7" x 1.8" | 41.3" | 5.9" | 9.6" | 12.3" | 13.9" | 2,932lb (1,330kg) | IV |
| SYHB14-B0T-09 | 13,000lb (5,900kg) | 28.0" - 113.0" | 70.9" | 63.0" x 19.7" x 1.8" | 41.3" | 5.9" | 9.6" | 14.1" | 13.9" | 3,075lb (1,395kg) | IV |

Options

| | |
|--|---|
| For models without sideshifting | Quick-release lower mountings, Class IV |
| Separate sideshifting 8" for mounting Class II | Gripper teeth |
| Separate sideshifting 8" for mounting Class III | Wear strips under arms |
| Separate sideshifting 8" for mounting Class IV | Wear strips under frame |
| 2 hydraulic functions – Independent arm control | Frame bumper |
| Quick-release lower mountings, Class II or Class III | |

AVAILABLE ON REQUEST

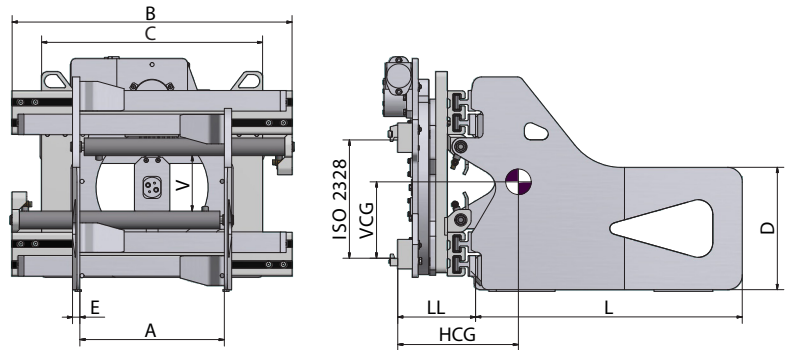
Different arm dimensions
 Class B mounting arms
 Load backrest
 Waste paper box arm models

*Opening range measured at the arm tip

5.4 BALE CLAMPS, PULP BALE CLAMPS 360° HBR

TECHNICAL DETAILS:

- Clamps also suitable to handle pulp bales
- 2 hydraulic functions
- Maximum pressure 2,600 psi
- Recommended oil flow 7 gpm
- C - Minimal width lift truck carriage



| Model | Capacity 24" (600mm) Load Center | A Opening Range | B | Arms LxDxE | C | V | LL | HCG | VCG | Weight | Mounting Class |
|---------------|--|-----------------------|-------|----------------------|-------|------|-------|-------|-------|-----------------|-------------------|
| SYHBR10-A0-09 | 1,800lb (820kg) | 17.7" - 62.5" | 37.4" | 35.4" x 15.7" x 1.0" | 29.5" | 7.7" | 10.6" | 8.9" | 12.8" | 1,201lb (545kg) | II |
| SYHBR10-A0-10 | 1,800lb (820kg) | 17.7" - 62.5" | 37.4" | 39.4" x 15.7" x 1.0" | 29.5" | 7.7" | 10.6" | 9.3" | 12.8" | 1,245lb (565kg) | II |
| SYHBR10-A1-09 | 1,800lb (820kg) | 21.7" - 70.5" | 37.4" | 35.4" x 15.7" x 1.0" | 29.5" | 7.7" | 10.6" | 8.9" | 12.8" | 1,212lb (550kg) | II |
| SYHBR10-A1-10 | 1,800lb (820kg) | 21.7" - 70.5" | 37.4" | 39.4" x 15.7" x 1.0" | 29.5" | 7.7" | 10.6" | 9.3" | 12.8" | 1,256lb (570kg) | II |
| SYHBR14-A0-09 | 2,500lb (1,135kg) | 21.7" - 70.5" | 37.4" | 35.4" x 15.7" x 1.0" | 29.5" | 7.7" | 10.6" | 8.9" | 12.8" | 1,214lb (551kg) | II |
| SYHBR14-A0-10 | 2,500lb (1,135kg) | 21.7" - 70.5" | 37.4" | 39.4" x 15.7" x 1.0" | 29.5" | 7.7" | 10.6" | 9.2" | 12.8" | 1,261lb (572kg) | II |
| SYHBR14-B0-09 | 2,500lb (1,135kg) | 17.7" - 66.5" | 41.3" | 35.4" x 15.7" x 1.0" | 29.5" | 7.7" | 10.6" | 9.3" | 12.8" | 1,232lb (559kg) | II |
| SYHBR14-B0-10 | 2,500lb (1,135kg) | 17.7" - 66.5" | 41.3" | 39.4" x 15.7" x 1.0" | 29.5" | 7.7" | 10.6" | 9.7" | 12.8" | 1,278lb (580kg) | II |
| SYHBR14-C0-09 | 2,500lb (1,135kg) | 17.7" - 70.5" | 45.3" | 35.4" x 15.7" x 1.0" | 29.5" | 7.7" | 10.6" | 9.4" | 12.8" | 1,238lb (562kg) | II |
| SYHBR14-C0-10 | 2,500lb (1,135kg) | 17.7" - 70.5" | 45.3" | 39.4" x 15.7" x 1.0" | 29.5" | 7.7" | 10.6" | 9.8" | 12.8" | 1,291lb (586kg) | II |
| SYHBR14-C1-09 | 2,500lb (1,135kg) | 25.6" - 86.2" | 45.3" | 35.4" x 15.7" x 1.0" | 29.5" | 7.7" | 10.6" | 9.3" | 12.8" | 1,230lb (558kg) | II |
| SYHBR14-C1-10 | 2,500lb (1,135kg) | 25.6" - 86.2" | 45.3" | 39.4" x 15.7" x 1.0" | 29.5" | 7.7" | 10.6" | 9.6" | 12.8" | 1,287lb (584kg) | II |
| SYHBR18-A0-10 | 3,500lb (1,590kg) | 22.0" - 70.1" | 37.4" | 39.4" x 15.7" x 1.2" | 29.5" | 7.3" | 10.7" | 9.2" | 12.9" | 1,269lb (576kg) | II |
| SYHBR18-A0-12 | 3,500lb (1,590kg) | 22.0" - 70.1" | 37.4" | 47.2" x 15.7" x 1.2" | 29.5" | 7.3" | 10.7" | 9.6" | 12.9" | 1,298lb (589kg) | II |
| SYHBR18-B0-10 | 3,500lb (1,590kg) | 17.7" - 66.1" | 41.3" | 39.4" x 15.7" x 1.2" | 29.5" | 7.3" | 10.7" | 9.3" | 12.9" | 1,300lb (590kg) | II |
| SYHBR18-B0-12 | 3,500lb (1,590kg) | 17.7" - 66.1" | 41.3" | 47.2" x 15.7" x 1.2" | 29.5" | 7.3" | 10.7" | 9.7" | 12.9" | 1,320lb (599kg) | II |
| SYHBR18-C0-10 | 3,500lb (1,590kg) | 22.0" - 78.0" | 45.3" | 39.4" x 15.7" x 1.2" | 29.5" | 7.3" | 10.7" | 9.3" | 12.9" | 1,340lb (608kg) | II |
| SYHBR18-C0-12 | 3,500lb (1,590kg) | 22.0" - 78.0" | 45.3" | 47.2" x 15.7" x 1.2" | 29.5" | 7.3" | 10.7" | 9.8" | 12.9" | 1,362lb (618kg) | II |
| SYHBR18-D0-10 | 3,500lb (1,590kg) | 18.1" - 74.0" | 49.2" | 39.4" x 15.7" x 1.2" | 29.5" | 7.3" | 10.7" | 9.4" | 12.9" | 1,384lb (628kg) | II |
| SYHBR18-D0-12 | 3,500lb (1,590kg) | 18.1" - 74.0" | 49.2" | 47.2" x 15.7" x 1.2" | 29.5" | 7.3" | 10.7" | 9.9" | 12.9" | 1,415lb (642kg) | II |
| SYHBR22-A0-10 | 4,000lb (1,820kg) | 22.4" - 70.9" | 37.4" | 39.4" x 15.7" x 1.2" | 29.5" | 7.1" | 10.7" | 9.9" | 13.0" | 1,291lb (586kg) | II |
| SYHBR22-A0-12 | 4,000lb (1,820kg) | 22.4" - 70.9" | 37.4" | 47.2" x 15.7" x 1.2" | 29.5" | 7.1" | 10.7" | 5.3" | 13.0" | 1,316lb (597kg) | II |
| SYHBR22-B0-10 | 4,000lb (1,820kg) | 26.0" - 81.9" | 41.3" | 39.4" x 15.7" x 1.2" | 29.5" | 7.1" | 10.7" | 10.2" | 13.0" | 1,340lb (608kg) | II |
| SYHBR22-B0-12 | 4,000lb (1,820kg) | 26.0" - 81.9" | 41.3" | 47.2" x 15.7" x 1.2" | 29.5" | 7.1" | 10.7" | 10.6" | 13.0" | 1,362lb (618kg) | II |
| SYHBR22-C0-10 | 4,000lb (1,820kg) | 22.0" - 80.0" | 45.3" | 39.4" x 15.7" x 1.2" | 29.5" | 7.1" | 10.7" | 10.4" | 13.0" | 1,353lb (614kg) | II |
| SYHBR22-C0-12 | 4,000lb (1,820kg) | 22.0" - 80.0" | 45.3" | 47.2" x 15.7" x 1.2" | 29.5" | 7.1" | 10.7" | 10.6" | 13.0" | 1,377lb (625kg) | II |
| SYHBR22-D0-10 | 4,000lb (1,820kg) | 22.4" - 82.7" | 49.2" | 39.4" x 15.7" x 1.2" | 29.5" | 7.1" | 10.7" | 10.4" | 13.0" | 1,399lb (635kg) | II |
| SYHBR22-D0-12 | 4,000lb (1,820kg) | 22.4" - 82.7" | 49.2" | 47.2" x 15.7" x 1.2" | 29.5" | 7.1" | 10.7" | 10.9" | 13.0" | 1,437lb (652kg) | II |
| SYHBR26-A0-10 | 5,000lb (2,270kg) | 21.7" - 73.2" | 41.3" | 39.4" x 15.7" x 1.3" | 35.4" | 7.1" | 10.8" | 10.0" | 13.2" | 1,444lb (655kg) | II/III |

CLAMPS

| Model | Capacity 24" (600mm) Load Center | A Opening Range | B | Forks LxDxE | C | V | LL | HCG | VCG | Weight | Mounting Class |
|---------------|--|-----------------------|-------|----------------------|-------|------|-------|-------|-------|-------------------|-------------------|
| SYHBR26-A0-12 | 5,000lb (2,270kg) | 21.7" - 73.2" | 41.3" | 47.2" x 15.7" x 1.3" | 35.4" | 7.1" | 10.8" | 10.5" | 13.2" | 1,514lb (687kg) | II/III |
| SYHBR26-B0-10 | 5,000lb (2,270kg) | 26.4" - 86.6" | 45.3" | 39.4" x 15.7" x 1.3" | 35.4" | 7.1" | 10.8" | 10.3" | 13.2" | 1,463lb (664kg) | II/III |
| SYHBR26-B0-12 | 5,000lb (2,270kg) | 26.4" - 86.6" | 45.3" | 47.2" x 15.7" x 1.3" | 35.4" | 7.1" | 10.8" | 10.7" | 13.2" | 1,534lb (696kg) | II/III |
| SYHBR26-C0-10 | 5,000lb (2,270kg) | 20.9" - 79.5" | 49.2" | 39.4" x 15.7" x 1.3" | 35.4" | 7.1" | 10.8" | 10.5" | 13.2" | 1,485lb (674kg) | II/III |
| SYHBR26-C0-12 | 5,000lb (2,270kg) | 20.9" - 79.5" | 49.2" | 47.2" x 15.7" x 1.3" | 35.4" | 7.1" | 10.8" | 10.9" | 13.2" | 1,554lb (705kg) | II/III |
| SYHBR26-D0-10 | 5,000lb (2,270kg) | 26.4" - 91.3" | 52.0" | 39.4" x 15.7" x 1.3" | 35.4" | 7.1" | 10.8" | 10.6" | 13.2" | 1,505lb (683kg) | II/III |
| SYHBR26-D0-12 | 5,000lb (2,270kg) | 26.4" - 91.3" | 52.0" | 47.2" x 15.7" x 1.3" | 35.4" | 7.1" | 10.8" | 11.1" | 13.2" | 1,569lb (712kg) | II/III |
| SYHBR30-A0-12 | 5,500lb (2,500kg) | 24.4" - 82.3" | 45.3" | 47.2" x 15.7" x 1.3" | 35.4" | 6.9" | 11.4" | 11.8" | 13.2" | 2,105lb (955kg) | III |
| SYHBR30-A0-14 | 5,500lb (2,500kg) | 24.4" - 82.3" | 45.3" | 55.1" x 15.7" x 1.3" | 35.4" | 6.9" | 11.4" | 12.5" | 13.2" | 2,147lb (974kg) | III |
| SYHBR30-B0-12 | 5,500lb (2,500kg) | 20.5" - 78.3" | 49.2" | 47.2" x 15.7" x 1.3" | 35.4" | 6.9" | 11.4" | 12.2" | 13.2" | 2,129lb (966kg) | III |
| SYHBR30-B0-14 | 5,500lb (2,500kg) | 20.5" - 78.3" | 49.2" | 55.1" x 15.7" x 1.3" | 35.4" | 6.9" | 11.4" | 13.1" | 13.2" | 2,171lb (985kg) | III |
| SYHBR30-C0-12 | 5,500lb (2,500kg) | 25.2" - 90.6" | 52.0" | 47.2" x 15.7" x 1.3" | 35.4" | 6.9" | 11.4" | 12.4" | 13.2" | 2,202lb (999kg) | III |
| SYHBR30-C0-14 | 5,500lb (2,500kg) | 25.2" - 90.6" | 52.0" | 55.1" x 15.7" x 1.3" | 35.4" | 6.9" | 11.4" | 13.3" | 13.2" | 2,246lb (1,019kg) | III |
| SYHBR35-A0-12 | 6,500lb (2,950kg) | 16.9" - 68.1" | 45.3" | 47.2" x 15.7" x 1.3" | 41.3" | 6.7" | 12.0" | 11.9" | 13.0" | 2,266lb (1,028kg) | III |
| SYHBR35-A0-14 | 6,500lb (2,950kg) | 16.9" - 68.1" | 45.3" | 55.1" x 15.7" x 1.3" | 41.3" | 6.7" | 12.0" | 12.4" | 13.0" | 2,310lb (1,048kg) | III |
| SYHBR35-B0-12 | 6,500lb (2,950kg) | 27.2" - 95.3" | 52.0" | 47.2" x 15.7" x 1.3" | 41.3" | 6.7" | 12.0" | 12.0" | 13.0" | 2,365lb (1,073kg) | III |
| SYHBR35-B0-14 | 6,500lb (2,950kg) | 27.2" - 95.3" | 52.0" | 55.1" x 15.7" x 1.3" | 41.3" | 6.7" | 12.0" | 13.0" | 13.0" | 2,411lb (1,094kg) | III |
| SYHBR35-C0-12 | 6,500lb (2,950kg) | 22.0" - 90.2" | 57.1" | 47.2" x 15.7" x 1.3" | 41.3" | 6.7" | 12.0" | 12.9" | 13.0" | 2,407lb (1,092kg) | III |
| SYHBR35-C0-14 | 6,500lb (2,950kg) | 22.0" - 90.2" | 57.1" | 55.1" x 15.7" x 1.3" | 41.3" | 6.7" | 12.0" | 13.7" | 13.0" | 2,471lb (1,121kg) | III |
| SYHBR42-A0-12 | 7,700lb (3,500kg) | 23.6" - 81.5" | 45.3" | 47.2" x 17.7" x 1.6" | 41.3" | 6.5" | 12.3" | 12.3" | 13.0" | 2,502lb (1,135kg) | III |
| SYHBR42-A0-14 | 7,700lb (3,500kg) | 23.6" - 81.5" | 45.3" | 55.1" x 17.7" x 1.6" | 41.3" | 6.5" | 12.3" | 13.3" | 13.0" | 2,568lb (1,165kg) | III |
| SYHBR42-A0-16 | 7,700lb (3,500kg) | 23.6" - 81.5" | 45.3" | 63.0" x 17.7" x 1.6" | 41.3" | 6.5" | 12.3" | 15.9" | 13.0" | 2,652lb (1,203kg) | III |
| SYHBR42-B0-12 | 7,700lb (3,500kg) | 22.0" - 85.0" | 52.0" | 47.2" x 17.7" x 1.6" | 41.3" | 6.5" | 12.3" | 13.2" | 13.0" | 2,551lb (1,160kg) | III |
| SYHBR42-B0-14 | 7,700lb (3,500kg) | 22.0" - 85.0" | 52.0" | 55.1" x 17.7" x 1.6" | 41.3" | 6.5" | 12.3" | 14.1" | 13.0" | 2,623lb (1,190kg) | III |
| SYHBR42-B0-16 | 7,700lb (3,500kg) | 22.0" - 85.0" | 52.0" | 63.0" x 17.7" x 1.6" | 41.3" | 6.5" | 12.3" | 16.3" | 13.0" | 2,711lb (1,230kg) | III |
| SYHBR42-C0-12 | 7,700lb (3,500kg) | 26.8" - 98.4" | 57.1" | 47.2" x 17.7" x 1.6" | 41.3" | 6.5" | 12.3" | 14.2" | 13.0" | 2,815lb (1,277kg) | III |
| SYHBR42-C0-14 | 7,700lb (3,500kg) | 26.8" - 98.4" | 57.1" | 55.1" x 17.7" x 1.6" | 41.3" | 6.5" | 12.3" | 15.2" | 13.0" | 2,685lb (1,218kg) | III |
| SYHBR42-C0-16 | 7,700lb (3,500kg) | 26.8" - 98.4" | 57.1" | 63.0" x 17.7" x 1.6" | 41.3" | 6.5" | 12.3" | 18.5" | 13.0" | 2,766lb (1,255kg) | III |

Options

| | |
|--|-------------------------|
| Separate sideshifting 8" for mounting Class II | Gripper teeth |
| Separate sideshifting 8" for mounting Class III | Wear strips under arms |
| 2 hydraulic functions – Independent arm control | Wear strips under frame |
| Quick-release lower mountings, Class II or Class III | Frame bumper |

AVAILABLE ON REQUEST

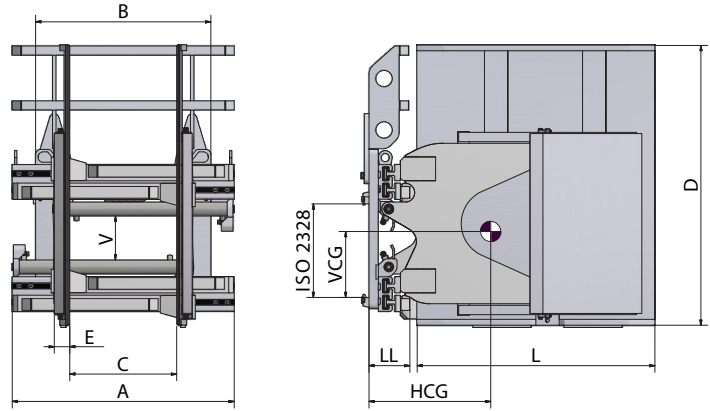
Different arm dimensions
Class B mounting arms
Waste paper box arm model

*Opening range measured at the arm tip

5.5 APPLIANCE AND CARTON CLAMPS – ARTICULATING PADS UHEA-T

TECHNICAL DETAILS:

- 2 hydraulic functions
- Maximum pressure 2,600 psi
- Recommended oil flow 7 gpm
- Models with integrated sideshifting



| Model | Capacity | A Opening Range | B | Arms LxDxE | C | V | LL | HCG | VCG | Weight | Mounting Class |
|---------------------|-----------------------------------|-----------------------|-------|------------------|-------|------|------|-------|-------|-----------------|-------------------|
| SYUHEA10-A0T-7612 | 1,500lb @ 15.0" (680kg @ 380mm) | 22.5" - 76.3" | 41.3" | 30" x 48" x 2.3" | 29.5" | 7.5" | 5.7" | 12.7" | 12.5" | 1,113lb (505kg) | II |
| SYUHEA10-A0T-8112 | 1,500lb @ 16.0" (680kg @ 405mm) | 22.5" - 76.3" | 41.3" | 32" x 48" x 2.3" | 29.5" | 7.5" | 5.7" | 13.0" | 12.7" | 1,166lb (529kg) | II |
| SYUHEA10-A0T-10112 | 1,500lb @ 20.0" (680kg @ 510mm) | 22.5" - 76.3" | 41.3" | 40" x 48" x 2.3" | 29.5" | 7.5" | 5.7" | 14.4" | 13.0" | 1,318lb (598kg) | II |
| SYUHEA10-A0T-10612 | 1,500lb @ 21.0" (680kg @ 535mm) | 22.5" - 76.3" | 41.3" | 42" x 48" x 2.3" | 29.5" | 7.5" | 5.7" | 14.5" | 13.2" | 1,327lb (602kg) | II |
| SYUHEA10-A0T-11612 | 1,500lb @ 23.0" (680kg @ 585mm) | 22.5" - 76.3" | 41.3" | 46" x 48" x 2.3" | 29.5" | 7.5" | 5.7" | 16.6" | 13.5" | 1,388lb (630kg) | II |
| SYUHEA10-A0T-1212 | 1,500lb @ 24.0" (680kg @ 600mm) | 22.5" - 76.3" | 41.3" | 48" x 48" x 2.3" | 29.5" | 7.5" | 5.7" | 16.8" | 13.5" | 1,410lb (640kg) | II |
| SYUHEA14-A0T-7612 | 2,500lb @ 15.0" (1,135kg @ 380mm) | 22.5" - 76.3" | 41.3" | 30" x 48" x 2.3" | 29.5" | 7.5" | 5.7" | 12.7" | 12.5" | 1,113lb (505kg) | II |
| SYUHEA14-A0T-10112 | 2,500lb @ 20.0" (1,136kg @ 510mm) | 22.5" - 76.3" | 41.3" | 40" x 48" x 2.3" | 29.5" | 7.5" | 5.7" | 14.4" | 13.0" | 1,318lb (598kg) | II |
| SYUHEA14-B0T-10612 | 2,500lb @ 21.0" (1,137kg @ 535mm) | 22.5" - 76.3" | 41.3" | 42" x 48" x 2.3" | 29.5" | 7.5" | 5.7" | 14.5" | 13.2" | 1,327lb (602kg) | II |
| SYUHEA14-B0T-11612 | 2,500lb @ 23.0" (1,138kg @ 585mm) | 22.5" - 76.3" | 41.3" | 46" x 48" x 2.3" | 29.5" | 7.5" | 5.7" | 16.6" | 13.5" | 1,388lb (630kg) | II |
| SYUHEA14-B0T-1212 | 2,500lb @ 24.0" (1,139kg @ 600mm) | 22.5" - 76.3" | 41.3" | 48" x 48" x 2.3" | 29.5" | 7.5" | 5.7" | 16.8" | 13.5" | 1,410lb (640kg) | II |
| SYUHEA14-D0T-1212 | 2,500lb @ 24.0" (1,135kg @ 610mm) | 25.0" - 102" | 60.0" | 48" x 48" x 2.3" | 32.5" | 7.8" | 5.7" | 17.3" | 13.2" | 1,730lb (785kg) | II |
| SYUHEA18-B0T-10112 | 3,500lb @ 20.0" (1,590kg @ 510mm) | 22.5" - 76.3" | 41.3" | 40" x 48" x 2.4" | 29.5" | 7.5" | 6.5" | 14.9" | 12.6" | 1,428lb (648kg) | II |
| SYUHEA18-B0T-10612 | 3,500lb @ 21.0" (1,590kg @ 535mm) | 22.5" - 76.3" | 41.3" | 42" x 48" x 2.4" | 29.5" | 7.5" | 6.5" | 15.1" | 12.6" | 1,501lb (681kg) | II |
| SYUHEA18-B0T-11612 | 3,500lb @ 23.0" (1,590kg @ 585mm) | 22.5" - 76.3" | 41.3" | 46" x 48" x 2.4" | 29.5" | 7.5" | 6.5" | 15.3" | 12.5" | 1,538lb (698kg) | II |
| SYUHEA18-B0T-1212 | 3,500lb @ 24.0" (1,590kg @ 600mm) | 22.5" - 76.3" | 41.3" | 48" x 48" x 2.4" | 29.5" | 7.5" | 6.5" | 15.5" | 12.4" | 1,563lb (709kg) | II |
| SYUHEA18-B0T-13212 | 3,300lb @ 26.0" (1,500kg @ 660mm) | 22.5" - 76.3" | 41.3" | 52" x 48" x 2.4" | 29.5" | 7.5" | 6.5" | 15.7" | 12.3" | 1,635lb (742kg) | II |
| SYUHEA18-B0T-13712 | 3,200lb @ 27.0" (1,455kg @ 685mm) | 22.5" - 76.3" | 41.3" | 54" x 48" x 2.4" | 29.5" | 7.5" | 6.5" | 15.8" | 12.3" | 1,675lb (762kg) | II |
| SYUHEA18-B0T-1412 | 3,000lb @ 28.0" (1,360kg @ 710mm) | 22.5" - 76.3" | 41.3" | 56" x 48" x 2.4" | 29.5" | 7.5" | 6.5" | 15.9" | 12.2" | 1,697lb (770kg) | II |
| SYUHEA18-B0T-101137 | 3,500lb @ 20.0" (1,590kg @ 510mm) | 22.5" - 76.3" | 41.3" | 40" x 54" x 2.4" | 29.5" | 7.5" | 6.5" | 15.1" | 13.9" | 1,477lb (670kg) | II |
| SYUHEA18-B0T-106137 | 3,500lb @ 21.0" (1,590kg @ 535mm) | 22.5" - 76.3" | 41.3" | 42" x 54" x 2.4" | 29.5" | 7.5" | 6.5" | 15.3" | 13.9" | 1,479lb (671kg) | II |
| SYUHEA18-B0T-116137 | 3,500lb @ 23.0" (1,590kg @ 585mm) | 22.5" - 76.3" | 41.3" | 46" x 54" x 2.4" | 29.5" | 7.5" | 6.5" | 15.6" | 13.8" | 1,609lb (730kg) | II |
| SYUHEA18-B0T-12213 | 3,500lb @ 24.0" (1,590kg @ 600mm) | 22.5" - 76.3" | 41.3" | 48" x 54" x 2.4" | 29.5" | 7.5" | 6.5" | 15.9" | 13.7" | 1,620lb (735kg) | II |
| SYUHEA18-B0T-13213 | 3,300lb @ 26.0" (1,500kg @ 660mm) | 22.5" - 76.3" | 41.3" | 52" x 54" x 2.4" | 29.5" | 7.5" | 6.5" | 16.7" | 13.6" | 1,723lb (782kg) | II |
| SYUHEA18-B0T-13713 | 3,200lb @ 27.0" (1,455kg @ 685mm) | 22.5" - 76.3" | 41.3" | 54" x 54" x 2.4" | 29.5" | 7.5" | 6.5" | 17.2" | 13.6" | 1,748lb (793kg) | II |
| SYUHEA18-B0T-10115 | 3,500lb @ 20.0" (1,590kg @ 510mm) | 22.5" - 76.3" | 41.3" | 40" x 60" x 2.4" | 29.5" | 7.5" | 6.5" | 15.6" | 14.7" | 1,554lb (705kg) | II |
| SYUHEA18-B0T-10615 | 3,500lb @ 21.0" (1,590kg @ 535mm) | 22.5" - 76.3" | 41.3" | 42" x 60" x 2.4" | 29.5" | 7.5" | 6.5" | 16.2" | 14.6" | 1,570lb (712kg) | II |

| Model | Capacity | A Opening Range | B | Arms LxDxE | C | V | LL | HCG | VCG | Weight | Mounting Class |
|--------------------|-----------------------------------|-----------------------|-------|------------------|-------|------|------|-------|-------|-----------------|-------------------|
| SYUHEA18-B0T-11615 | 3,500lb @ 23.0" (1,590kg @ 585mm) | 22.5" - 76.3" | 41.3" | 46" x 60" x 2.4" | 29.5" | 7.5" | 6.5" | 17.7" | 14.6" | 1,673lb (759kg) | II |
| SYUHEA18-B0T-12215 | 3,500lb @ 24.0" (1,590kg @ 600mm) | 22.5" - 76.3" | 41.3" | 48" x 60" x 2.4" | 29.5" | 7.5" | 6.5" | 17.9" | 14.5" | 1,682lb (763kg) | II |
| SYUHEA18-B0T-13215 | 3,300lb @ 26.0" (1,500kg @ 660mm) | 22.5" - 76.3" | 41.3" | 52" x 60" x 2.4" | 29.5" | 7.5" | 6.5" | 18.2" | 14.5" | 1,785lb (810kg) | II |
| SYUHEA18-B0T-13715 | 3,200lb @ 27.0" (1,455kg @ 685mm) | 22.5" - 76.3" | 41.3" | 54" x 60" x 2.4" | 29.5" | 7.5" | 6.5" | 18.4" | 14.3" | 1,827lb (829kg) | II |
| SYUHEA22-A0T-10115 | 5,000lb @ 20.0" (2,270kg @ 510mm) | 21.2" - 73.2" | 41.3" | 40" x 60" x 2.7" | 29.5" | 7.5" | 6.5" | 18.6" | 17.2" | 1,951lb (885kg) | III |
| SYUHEA22-A0T-10615 | 5,000lb @ 21.0" (2,270kg @ 535mm) | 21.2" - 73.2" | 41.3" | 40" x 60" x 2.7" | 29.5" | 7.5" | 6.5" | 18.7" | 17.3" | 2,200lb (998kg) | III |
| SYUHEA22-A0T-11115 | 5,000lb @ 22.0" (2,270kg @ 560mm) | 21.2" - 73.2" | 41.3" | 40" x 60" x 2.7" | 29.5" | 7.5" | 6.5" | 18.9" | 17.3" | 2,017lb (915kg) | III |
| SYUHEA22-A0T-11615 | 5,000lb @ 23.0" (2,270kg @ 585mm) | 21.2" - 73.2" | 41.3" | 40" x 60" x 2.7" | 29.5" | 7.5" | 6.5" | 19.3" | 16.7" | 2,070lb (939kg) | III |
| SYUHEA22-A0T-1215 | 5,000lb @ 24.0" (2,270kg @ 600mm) | 21.2" - 73.2" | 41.3" | 40" x 60" x 2.7" | 29.5" | 7.5" | 6.5" | 19.6" | 16.6" | 2,114lb (959kg) | III |

Options

For models without sideshifting

Separate sideshifting 8" for mounting Class II

2 hydraulic functions - Independent arm control

Quick-release lower mountings, Class II

Flow divider

AVAILABLE ON REQUEST

Different contact pads



CHAPTER OVERVIEW

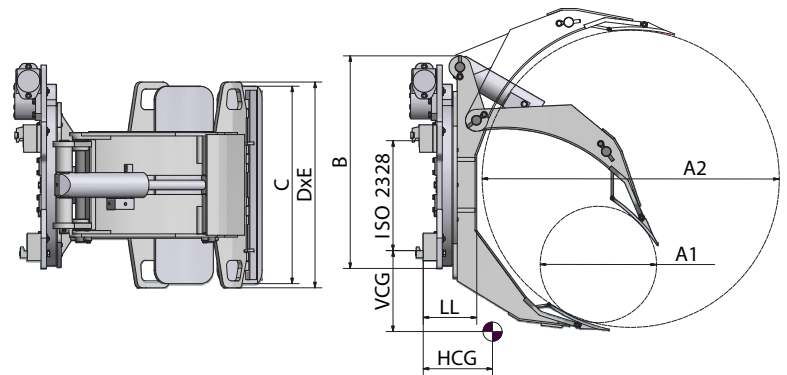
| | | | |
|------------|--|------|----|
| 6.1 | Rotating paper roll clamps 360° | CR | 51 |
| 6.2 | Rotating paper roll clamps - split arms 360° | CR-S | 53 |

ROLL CLAMPS

6.1 ROTATING PAPER ROLL CLAMPS 360° CR

TECHNICAL DETAILS:

- 2 hydraulic functions
- Maximum pressure 2,300 psi
- Recommended oil flow 8 gpm
- LL and CG are in inches with mounting angle 2°
- F - Distance from the ground
- G - Pad protectors encumbrance



| Model | Capacity For Diameter | A Roll Range Min/Max | B | C | DxE | LL | HCG | Weight 180° | Weight 360° | VCG | Mounting Class | F | G |
|------------|-----------------------------------|----------------------|-------|-------|---------------|------|-------|-----------------|-----------------|-------|----------------|------|-------|
| SYCR1050* | 2,200lb @ 39.4" (1000kg @ 1000mm) | 17.7"/39.4" | 39.0" | 13.0" | 28.3" x 9.1" | 7.7" | 7.9" | - | 859lb (390kg) | 11.5" | II | - | - |
| SYCR1355* | 2,800lb @ 43.3" (1270kg @ 1100mm) | 9.8"/43.3" | 35.0" | 27.2" | 28.3" x 9.1" | 8.1" | 8.5" | - | 992lb (450kg) | 11.7" | II | 3.0" | 30.3" |
| SYCR1265* | 2,600lb @ 51.2" (1180kg @ 1300mm) | 9.8"/51.2" | 46.9" | 26.6" | 28.3" x 9.8" | 9.8" | 10.4" | 1,168lb (530kg) | 1,157lb (525kg) | 12.1" | II | 3.0" | 30.3" |
| SYCR1266 | 2,600lb @ 51.2" (1180kg @ 1300mm) | 17.7"/51.2" | 46.9" | 26.6" | 28.3" x 9.8" | 9.8" | 10.4" | 1,168lb (530kg) | 1,157lb (525kg) | 12.0" | II | 3.0" | 30.3" |
| SYCR1276 | 2,600lb @ 59.0" (1180kg @ 1500mm) | 17.7"/59.1" | 46.9" | 26.6" | 28.3" x 9.8" | 6.9" | 11.4" | 1,124lb (510kg) | 1,091lb (495kg) | 11.5" | II | 3.0" | 30.3" |
| SYCR1281 | 2,600lb @ 63.0" (1180kg @ 1600mm) | 17.7"/63.0" | 46.9" | 26.6" | 28.3" x 9.8" | 6.9" | 11.6" | 1,157lb (525kg) | 1,146lb (520kg) | 11.7" | II | 3.0" | 30.3" |
| SYCR1655* | 3,500lb @ 43.3" (1590kg @ 1100mm) | 9.8"/43.3" | 35.0" | 27.2" | 32.3" x 9.8" | 8.1" | 8.5" | - | 1,102lb (500kg) | 11.7" | II | 3.0" | 34.3" |
| SYCR1656 | 3,500lb @ 43.3" (1590kg @ 1100mm) | 17.7"/43.3" | 35.0" | 27.2" | 32.3" x 9.8" | 8.1" | 8.5" | - | 1,102lb (500kg) | 11.7" | II | 3.0" | 34.3" |
| SYCR1665* | 3,500lb @ 51.2" (1590kg @ 1300mm) | 9.8"/51.2" | 46.9" | 27.8" | 32.3" x 9.8" | 9.8" | 9.3" | 1,179lb (535kg) | 1,168lb (530kg) | 11.7" | II | 3:03 | 34.3" |
| SYCR1666 | 3,500lb @ 51.2" (1590kg @ 1300mm) | 19.7"/51.2" | 46.9" | 27.8" | 32.3" x 9.8" | 9.8" | 9.3" | 1,179lb (535kg) | 1,168lb (530kg) | 11.7" | II | 3:03 | 34.3" |
| SYCR1865* | 3,900lb @ 51.2" (1770kg @ 1300mm) | 9.8"/51.2" | 34.4" | 33.5" | 32.3" x 9.8" | 8.3" | 9.6" | 1,190lb (540kg) | 1,179lb (535kg) | 11.5" | II | 6.1" | 34.3" |
| SYCR1866 | 3,900lb @ 51.2" (1770kg @ 1300mm) | 19.7"/51.2" | 34.4" | 33.5" | 32.3" x 9.8" | 8.3" | 9.6" | 1,190lb (540kg) | 1,179lb (535kg) | 11.5" | II | 6.1" | 34.3" |
| SYCR1680* | 3,500lb @ 63.0" (1590kg @ 1600mm) | 9.8"/63.0" | 46.9" | 33.5" | 32.3" x 9.8" | 6.9" | 12.0" | 1,499lb (680kg) | 1,466lb (665kg) | 11.7" | II/III | 6.1" | 34.3" |
| SYCR1681 | 3,500lb @ 63.0" (1590kg @ 1600mm) | 19.7"/63.0" | 46.9" | 33.5" | 32.3" x 9.8" | 6.9" | 12.0" | 1,499lb (680kg) | 1,466lb (665kg) | 11.7" | II/III | 6.1" | 34.3" |
| SYCR2265* | 4,800lb @ 51.2" (2180kg @ 1300mm) | 9.8"/51.2" | 34.4" | 33.5" | 32.3" x 9.8" | 8.3" | 9.6" | 1,223lb (595kg) | 1,212lb (590kg) | 12.5" | II | 6.1" | 34.3" |
| SYCR2266 | 4,800lb @ 51.2" (2180kg @ 1300mm) | 19.7"/51.2" | 34.4" | 33.5" | 32.3" x 9.8" | 8.3" | 9.6" | 1,223lb (595kg) | 1,212lb (590kg) | 12.5" | II | 6.1" | 34.3" |
| SYCR2070* | 4,400lb @ 55.1" (2000kg @ 1400mm) | 9.8"/55.1" | 34.4" | 33.5" | 32.3" x 9.8" | 7.7" | 9.8" | 1,510lb (685kg) | 1,477lb (670kg) | 12.3" | III | 6.1" | 34.3" |
| SYCR2071 | 4,400lb @ 55.1" (2000kg @ 1400mm) | 19.7"/55.1" | 34.4" | 33.5" | 32.3" x 9.8" | 7.7" | 9.8" | 1,510lb (685kg) | 1,477lb (670kg) | 12.3" | III | 6.1" | 34.3" |
| SYCR2565* | 5,500lb @ 51.2" (2490kg @ 1300mm) | 9.8"/51.2" | 34.4" | 33.5" | 40.2" x 9.8" | 7.7" | 11.0" | 1,598lb (725kg) | 1,565lb (710kg) | 16.2" | III | 6.1" | 42.1" |
| SYCR2566 | 5,500lb @ 51.2" (2490kg @ 1300mm) | 19.7"/51.2" | 34.4" | 33.5" | 40.2" x 9.8" | 7.7" | 11.0" | 1,598lb (725kg) | 1,565lb (710kg) | 16.2" | III | 6.1" | 42.1" |
| SYCR2080* | 4,400lb @ 63.0" (2000kg @ 1600mm) | 9.8"/63.0" | 46.9" | 33.5" | 40.2" x 9.8" | 6.9" | 12.8" | 1,730lb (785kg) | 1,697lb (770kg) | 16.4" | III | 6.1" | 42.1" |
| SYCR2081 | 4,400lb @ 63.0" (2000kg @ 1600mm) | 19.7"/63.0" | 46.9" | 33.5" | 40.2" x 9.8" | 6.9" | 12.8" | 1,730lb (785kg) | 1,697lb (770kg) | 16.4" | III | 6.1" | 42.1" |
| SYCR10105* | 2,200lb @ 82.7" (1000kg @ 2100mm) | 25.6"/82.7" | 51.2" | 26.8" | 47.2" x 11.0" | 7.5" | 16.9" | 1,862lb (845kg) | 1,829lb (830kg) | 16.1" | III | 6.1" | 42.1" |
| SYCR3065* | 6,600lb @ 51.2" (2990kg @ 1300mm) | 9.8"/51.2" | 34.4" | 36.8" | 40.2" x 9.8" | 7.9" | 10.2" | 1,719lb (780kg) | 1,686lb (765kg) | 15.5" | III/IV | 6.9" | 42.1" |
| SYCR3066 | 6,600lb @ 51.2" (2990kg @ 1300mm) | 17.7"/51.2" | 34.4" | 36.8" | 40.2" x 9.8" | 7.9" | 10.2" | 1,719lb (780kg) | 1,686lb (765kg) | 15.6" | III/IV | 6.9" | 42.1" |
| SYCR2580* | 5,500lb @ 63.0" (2490kg @ 1600mm) | 9.8"/63.0" | 34.4" | 36.8" | 40.2" x 9.8" | 7.9" | 13.0" | 1,774lb (805kg) | 1,741lb (790kg) | 15.9" | III/IV | 6.9" | 42.1" |
| SYCR2581 | 5,500lb @ 63.0" (2490kg @ 1600mm) | 19.7"/63.0" | 34.4" | 36.8" | 40.2" x 9.8" | 7.9" | 13.0" | 1,774lb (805kg) | 1,741lb (790kg) | 15.9" | III/IV | 6.9" | 42.1" |

| Model | Capacity For Diameter | A Roll Range Min/Max | B | C | DxE | LL | HCG | Weight 180° | Weight 360° | VCG | Mounting Class | F | G |
|------------|-------------------------------------|----------------------|-------|-------|---------------|------|-------|-------------------|-------------------|-------|----------------|------|-------|
| SYCR2390* | 5,000lb @ 72.0" (2270kg @ 1830mm) | 11.8"/72.0" | 43.3" | 36.8" | 40.2" x 9.8" | 7.9" | 14.2" | 2,127lb (945kg) | 2,094lb (930kg) | 16.2" | III/IV | 6.9" | 42.1" |
| SYCR2391 | 5,000lb @ 72.0" (2270kg @ 1830mm) | 21.7"/72.0" | 43.3" | 36.8" | 40.2" x 9.8" | 7.9" | 14.2" | 2,127lb (945kg) | 2,094lb (930kg) | 16.2" | III/IV | 6.9" | 42.1" |
| SYCR2590* | 5,500lb @ 72.0" (2,490kg @ 1,830mm) | 11.8"/72.0" | 43.3" | 36.8" | 40.2" x 9.8" | 7.9" | 14.2" | 2,171lb (985kg) | 2,138lb (970kg) | 16.3" | III/IV | 6.9" | 42.1" |
| SYCR2591 | 5,500lb @ 72.0" (2,490kg @ 1,830mm) | 21.7"/72.0" | 43.3" | 36.8" | 40.2" x 9.8" | 7.9" | 14.2" | 2,171lb (985kg) | 2,138lb (970kg) | 16.3" | III/IV | 6.9" | 42.1" |
| SYCR3070* | 6,600lb @ 55.1" (2,990kg @ 1,400mm) | 9.8"/55.1" | 34.4" | 36.8" | 40.2" x 9.8" | 7.9" | 10.4" | 1,730lb (785kg) | 1,697lb (770kg) | 16.9" | III/IV | 6.9" | 42.1" |
| SYCR3071 | 6,600lb @ 55.1" (2,990kg @ 1,400mm) | 19.7"/55.1" | 34.4" | 36.8" | 40.2" x 9.8" | 7.9" | 10.4" | 1,730lb (785kg) | 1,697lb (770kg) | 16.9" | III/IV | 6.9" | 42.1" |
| SYCR3075* | 6,600lb @ 59.0" (2,990kg @ 1,500mm) | 9.8"/59.1" | 34.4" | 36.8" | 40.2" x 9.8" | 7.9" | 11.6" | 1,785lb (810kg) | 1,752lb (795kg) | 16.8" | III/IV | 6.9" | 42.1" |
| SYCR3076 | 6,600lb @ 59.0" (2,990kg @ 1,500mm) | 19.7"/59.1" | 34.4" | 36.8" | 40.2" x 9.8" | 7.9" | 11.6" | 1,785lb (810kg) | 1,752lb (795kg) | 16.8" | III/IV | 6.9" | 42.1" |
| SYCR3565* | 7,700lb @ 51.2" (3,490kg @ 1,300mm) | 9.8"/51.2" | 43.3" | 41.0" | 47.2" x 11.0" | 8.7" | 12.0" | 2,347lb (1,065kg) | 2,314lb (1,050kg) | 18.3" | III/IV | 6.9" | 49.2" |
| SYCR3566 | 7,700lb @ 51.2" (3,490kg @ 1,300mm) | 19.7"/51.2" | 43.3" | 41.0" | 47.2" x 11.0" | 8.7" | 12.0" | 2,347lb (1,065kg) | 2,314lb (1,050kg) | 18.3" | III/IV | 6.9" | 49.2" |
| SYCR3370* | 7,200lb @ 55.1" (3,270kg @ 1,400mm) | 9.8"/55.1" | 41.3" | 41.0" | 47.2" x 11.0" | 8.1" | 11.4" | 2,160lb (980kg) | 2,127lb (965kg) | 19.2" | III/IV | 6.9" | 49.2" |
| SYCR3371 | 7,200lb @ 55.1" (3,270kg @ 1,400mm) | 19.7"/55.1" | 41.3" | 41.0" | 47.2" x 11.0" | 8.1" | 11.4" | 2,160lb (980kg) | 2,127lb (965kg) | 19.2" | III/IV | 6.9" | 49.2" |
| SYCR3375* | 7,200lb @ 59.0" (3,270kg @ 1,500mm) | 9.8"/59.1" | 43.3" | 41.0" | 47.2" x 11.0" | 8.5" | 12.6" | 2,380lb (1,080kg) | 2,347lb (1,065kg) | 19.2" | III/IV | 6.9" | 49.2" |
| SYCR3376 | 7,200lb @ 59.0" (3,270kg @ 1,500mm) | 19.7"/59.1" | 43.3" | 41.0" | 47.2" x 11.0" | 8.5" | 12.6" | 2,380lb (1,080kg) | 2,347lb (1,065kg) | 19.5" | III/IV | 6.9" | 49.2" |
| SYCR3280* | 7,000lb @ 63.0" (3,180kg @ 1,600mm) | 9.8"/63.0" | 43.3" | 41.0" | 47.2" x 11.0" | 8.5" | 12.6" | 2,402lb (1,090kg) | 2,369lb (1,075kg) | 19.5" | III/IV | 6.9" | 49.2" |
| SYCR3281 | 7,000lb @ 63.0" (3,180kg @ 1,600mm) | 19.7"/63.0" | 43.3" | 41.0" | 47.2" x 11.0" | 8.5" | 12.6" | 2,402lb (1,090kg) | 2,369lb (1,075kg) | 19.5" | III/IV | 6.9" | 49.2" |
| SYCR3090* | 6,600lb @ 72.0" (2,990kg @ 1,830mm) | 11.8"/72.0" | 43.3" | 41.0" | 47.2" x 11.0" | 8.7" | 14.6" | 2,402lb (1,090kg) | 2,369lb (1,075kg) | 19.7" | III/IV | 6.9" | 49.2" |
| SYCR3091 | 6,600lb @ 72.0" (2,990kg @ 1,830mm) | 21.7"/72.0" | 43.3" | 41.0" | 47.2" x 11.0" | 8.7" | 14.6" | 2,402lb (1,090kg) | 2,369lb (1,075kg) | 19.7" | III/IV | 6.9" | 49.2" |
| SYCR3580* | 7,700lb @ 63.0" (3,490kg @ 1,600mm) | 9.8"/63.0" | 43.3" | 41.0" | 47.2" x 11.0" | 8.5" | 12.6" | 2,766lb (1,255kg) | 2,733lb (1,240kg) | 19.7" | IV | 6.9" | 49.2" |
| SYCR3581 | 7,700lb @ 63.0" (3,490kg @ 1,600mm) | 19.7"/63.0" | 43.3" | 41.0" | 47.2" x 11.0" | 8.5" | 12.6" | 2,766lb (1,255kg) | 2,733lb (1,240kg) | 19.8" | IV | 6.9" | 49.2" |
| SYCR4565* | 9,900lb @ 51.2" (4,490kg @ 1,300mm) | 9.8"/51.2" | 43.3" | 41.0" | 47.2" x 11.0" | 8.7" | 12.6" | 2,843lb (1,290kg) | 2,810lb (1,275kg) | 20.1" | IV | 6.9" | 49.2" |
| SYCR4566 | 9,900lb @ 51.2" (4,490kg @ 1,300mm) | 19.7"/51.2" | 43.3" | 41.0" | 47.2" x 11.0" | 8.7" | 12.6" | 2,843lb (1,290kg) | 2,810lb (1,275kg) | 20.1" | IV | 6.9" | 49.2" |
| SYCR4275* | 9,200lb @ 59.0" (4,170kg @ 1,500mm) | 9.8"/59.1" | 43.3" | 41.0" | 47.2" x 11.0" | 8.5" | 12.2" | 2,843lb (1,290kg) | 2,810lb (1,275kg) | 20.2" | IV | 6.9" | 49.2" |
| SYCR4276 | 9,200lb @ 59.0" (4,170kg @ 1,500mm) | 19.7"/59.1" | 43.3" | 41.0" | 47.2" x 11.0" | 8.5" | 12.2" | 2,843lb (1,290kg) | 2,810lb (1,275kg) | 20.2" | IV | 6.9" | 49.2" |
| SYCR4080* | 8,800lb @ 63.0" (3,990kg @ 1,600mm) | 9.8"/63.0" | 43.3" | 41.0" | 47.2" x 11.0" | 8.5" | 12.2" | 2,876lb (1,305kg) | 2,843lb (1,290kg) | 20.4" | IV | 6.9" | 49.2" |
| SYCR4081 | 8,800lb @ 63.0" (3,990kg @ 1,600mm) | 19.7"/63.0" | 43.3" | 41.0" | 47.2" x 11.0" | 8.5" | 12.2" | 2,876lb (1,305kg) | 2,843lb (1,290kg) | 20.4" | IV | 6.9" | 49.2" |
| SYCR3890* | 8,300lb @ 72.0" (3,760kg @ 1,830mm) | 21.7"/72.0" | 43.3" | 41.0" | 47.2" x 11.0" | 9.1" | 11.8" | 2,976lb (1,350kg) | 2,943lb (1,335kg) | 20.4" | IV | 6.9" | 49.2" |
| SYCR33100* | 7,200lb @ 78.7" (3,270kg @ 2,000mm) | 17.7"/78.7" | 55.1" | 41.3" | 47.2" x 11.0" | 8.3" | 16.1" | 3,009lb (1,365kg) | 2,976lb (1,350kg) | 20.4" | 4 | 6.9" | 49.2" |
| SYCR25105* | 5,500lb @ 82.7" (2,490kg @ 2,100mm) | 21.7"/82.7" | 55.1" | 41.3" | 63.0" x 13.8" | 8.3" | 20.9" | 3,119lb (1,415kg) | 3,086lb (1,400kg) | 25.3" | 4 | 6.9" | 65.0" |

AVAILABLE ON REQUEST

- Different contact pads
- Different pad covers (black rubber, yellow non-marking rubber, plain steel, etc)
- Models for tissue paper
- 180° rotation system

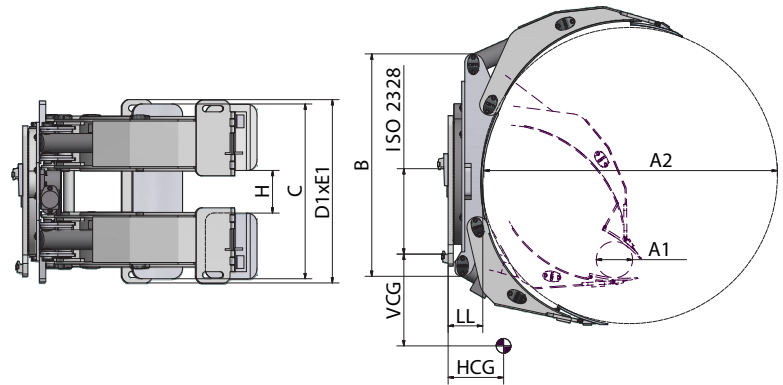
*Positionable short arm

ROLL CLAMPS

6.2 ROTATING PAPER ROLL CLAMPS - SPLIT ARMS 360° CR-S

TECHNICAL DETAILS:

- 2 hydraulic functions
- Maximum pressure 2,300 psi
- Recommended oil flow 8 gpm
- LL and CG are in inches with mounting angle 2°
- F – ground clearance
- G – pad protectors encumbrance



| Model | Capacity For Diameter | A Roll Range Min/Max | B | C | D1xE1 | H | LL | HCG | Weight 180° | Weight 360° | VCG | Mounting Class | F | G |
|-------------|-------------------------------------|----------------------|-------|-------|---------------|------|------|-------|-------------------|-------------------|-------|----------------|------|-------|
| SYCR1665.S* | 3,500lb @ 51.2" (1,590kg @ 1,300mm) | 9.8"/51.2" | 46.9" | 27.8" | 32.3" x 9.8" | 7.9" | 9.8" | 9.3" | 1,179lb (535kg) | 1,168lb (530kg) | 11.7" | II/III | 3.3" | 34.3" |
| SYCR1666.S | 3,500lb @ 51.2" (1,590kg @ 1,300mm) | 19.7"/51.2" | 46.9" | 27.8" | 32.3" x 9.8" | 7.9" | 9.8" | 9.3" | 1,179lb (535kg) | 1,168lb (530kg) | 11.7" | II/III | 3.3" | 34.3" |
| SYCR1865.S* | 3,900lb @ 51.2" (1,770kg @ 1,300mm) | 9.8"/51.2" | 35.4" | 33.5" | 32.3" x 9.8" | 7.9" | 6.9" | 9.6" | 1,190lb (540kg) | 1,179lb (535kg) | 11.5" | II/III | 6.1" | 34.3" |
| SYCR1866.S | 3,900lb @ 51.2" (1,770kg @ 1,300mm) | 19.7"/51.2" | 35.4" | 33.5" | 32.3" x 9.8" | 7.9" | 6.9" | 9.6" | 1,190lb (540kg) | 1,179lb (535kg) | 11.5" | II/III | 6.1" | 34.3" |
| SYCR1680.S* | 3,500lb @ 63.0" (1,590kg @ 1,600mm) | 9.8"/63.0" | 46.9" | 33.5" | 32.3" x 9.8" | 7.9" | 6.9" | 12.0" | 1,499lb (680kg) | 1,466lb (665kg) | 11.7" | II/III | 6.1" | 34.3" |
| SYCR1681.S | 3,500lb @ 63.0" (1,590kg @ 1,600mm) | 19.7"/63.0" | 46.9" | 33.5" | 32.3" x 9.8" | 7.9" | 6.9" | 12.0" | 1,499lb (680kg) | 1,466lb (665kg) | 11.7" | II/III | 6.1" | 34.3" |
| SYCR2265.S* | 4,800lb @ 51.2" (2,180kg @ 1,300mm) | 9.8"/51.2" | 35.4" | 33.5" | 32.3" x 9.8" | 7.9" | 6.9" | 9.6" | 1,223lb (595kg) | 1,212lb (590kg) | 12.5" | II/III | 6.1" | 34.3" |
| SYCR2266.S | 4,800lb @ 51.2" (2,180kg @ 1,300mm) | 19.7"/51.2" | 35.4" | 33.5" | 32.3" x 9.8" | 7.9" | 6.9" | 9.6" | 1,223lb (595kg) | 1,212lb (590kg) | 12.5" | II/III | 6.1" | 34.3" |
| SYCR2070.S* | 4,400lb @ 55.1" (2,000kg @ 1,400mm) | 9.8"/55.1" | 35.4" | 33.5" | 32.3" x 9.8" | 7.9" | 7.7" | 9.8" | 1,510lb (685kg) | 1,477lb (670kg) | 12.3" | II/III | 6.1" | 34.3" |
| SYCR2071.S | 4,400lb @ 55.1" (2,000kg @ 1,400mm) | 19.7"/55.1" | 35.4" | 33.5" | 32.3" x 9.8" | 7.9" | 7.7" | 9.8" | 1,510lb (685kg) | 1,477lb (670kg) | 12.3" | II/III | 6.1" | 34.3" |
| SYCR2565.S* | 5,500lb @ 51.2" (2,490kg @ 1,300mm) | 9.8"/51.2" | 35.4" | 33.5" | 40.2" x 9.8" | 7.9" | 7.7" | 11.0" | 1,598lb (725kg) | 1,565lb (710kg) | 16.2" | II/III | 6.1" | 42.1" |
| SYCR2566.S | 5,500lb @ 51.2" (2,490kg @ 1,300mm) | 19.7"/51.2" | 35.4" | 33.5" | 40.2" x 9.8" | 7.9" | 7.7" | 11.0" | 1,598lb (725kg) | 1,565lb (710kg) | 16.2" | II/III | 6.1" | 42.1" |
| SYCR2080.S* | 4,400lb @ 63.0" (2,000kg @ 1,600mm) | 9.8"/63.0" | 46.9" | 33.5" | 40.2" x 9.8" | 7.9" | 6.9" | 12.8" | 1,730lb (785kg) | 1,697lb (770kg) | 16.4" | III | 6.1" | 42.1" |
| SYCR2081.S | 4,400lb @ 63.0" (2,000kg @ 1,600mm) | 19.7"/63.0" | 46.9" | 33.5" | 40.2" x 9.8" | 7.9" | 6.9" | 12.8" | 1,730lb (785kg) | 1,697lb (770kg) | 16.4" | III | 6.1" | 42.1" |
| SYCR3065.S* | 6,600lb @ 51.2" (2,990kg @ 1,300mm) | 9.8"/51.2" | 35.4" | 36.8" | 40.2" x 9.8" | 7.9" | 7.9" | 10.2" | 1,719lb (780kg) | 1,686lb (765kg) | 15.5" | III/IV | 6.9" | 42.1" |
| SYCR3066.S | 6,600lb @ 51.2" (2,990kg @ 1,300mm) | 19.7"/51.2" | 35.4" | 36.8" | 40.2" x 9.8" | 7.9" | 7.9" | 10.2" | 1,719lb (780kg) | 1,686lb (765kg) | 15.6" | III/IV | 6.9" | 42.1" |
| SYCR2580.S* | 5,500lb @ 63.0" (2,490kg @ 1,600mm) | 9.8"/63.0" | 35.4" | 36.8" | 40.2" x 9.8" | 7.9" | 7.9" | 13.0" | 1,774lb (805kg) | 1,641lb (790kg) | 15.9" | III/IV | 6.9" | 42.1" |
| SYCR2581.S | 5,500lb @ 63.0" (2,490kg @ 1,600mm) | 19.7"/63.0" | 35.4" | 36.8" | 40.2" x 9.8" | 7.9" | 7.9" | 13.0" | 1,774lb (805kg) | 1,641lb (790kg) | 15.9" | III/IV | 6.9" | 42.1" |
| SYCR2390.S* | 5,000lb @ 72.0" (2,270kg @ 1,830mm) | 11.8"/72.0" | 43.3" | 36.8" | 40.2" x 9.8" | 7.9" | 7.9" | 14.2" | 2,083lb (945kg) | 2,050lb (930kg) | 16.2" | III/IV | 6.9" | 42.1" |
| SYCR2391.S | 5,000lb @ 72.0" (2,270kg @ 1,830mm) | 21.7"/72.0" | 43.3" | 36.8" | 40.2" x 9.8" | 7.9" | 7.9" | 14.2" | 2,083lb (945kg) | 2,050lb (930kg) | 16.2" | III/IV | 6.9" | 42.1" |
| SYCR2590.S* | 5,500lb @ 72.0" (2,490kg @ 1,830mm) | 11.8"/72.0" | 43.3" | 36.8" | 40.2" x 9.8" | 7.9" | 7.9" | 14.2" | 2,171lb (985kg) | 2,138lb (970kg) | 16.3" | III/IV | 6.9" | 42.1" |
| SYCR2591.S | 5,500lb @ 72.0" (2,490kg @ 1,830mm) | 21.7"/72.0" | 43.3" | 36.8" | 40.2" x 9.8" | 7.9" | 7.9" | 14.2" | 2,171lb (985kg) | 2,138lb (970kg) | 16.3" | III/IV | 6.9" | 42.1" |
| SYCR3070.S* | 6,600lb @ 55.1" (2,990kg @ 1,400mm) | 9.8"/55.1" | 35.4" | 36.8" | 40.2" x 9.8" | 7.9" | 7.9" | 10.4" | 1,730lb (785kg) | 1,697lb (770kg) | 16.9" | III/IV | 6.9" | 42.1" |
| SYCR3071.S | 6,600lb @ 55.1" (2,990kg @ 1,400mm) | 19.7"/55.1" | 35.4" | 36.8" | 40.2" x 9.8" | 7.9" | 7.9" | 10.4" | 1,730lb (785kg) | 1,697lb (770kg) | 16.9" | III/IV | 6.9" | 42.1" |
| SYCR3075.S* | 6,600lb @ 59.0" (2,990kg @ 1,500mm) | 9.8"/59.1" | 35.4" | 36.8" | 40.2" x 9.8" | 7.9" | 7.9" | 11.6" | 1,785lb (810kg) | 1,752lb (795kg) | 16.8" | III/IV | 6.9" | 42.1" |
| SYCR3076.S | 6,600lb @ 59.0" (2,990kg @ 1,500mm) | 19.7"/59.1" | 35.4" | 36.8" | 40.2" x 9.8" | 7.9" | 7.9" | 11.6" | 1,785lb (810kg) | 1,752lb (795kg) | 16.8" | III/IV | 6.9" | 42.1" |
| SYCR3565.S* | 7,700lb @ 51.2" (3,490kg @ 1,300mm) | 9.8"/51.2" | 43.3" | 41.0" | 47.2" x 11.0" | 7.9" | 8.7" | 12.0" | 23,47lb (1,065kg) | 2,314lb (1,050kg) | 18.3" | III/IV | 6.9" | 49.2" |

| Model | Capacity For Diameter | A Roll Range Min/Max | B | C | D1xE1 | H | LL | HCG | Weight 180° | Weight 360° | VCG | Mounting Class | F | G |
|-------------|-------------------------------------|----------------------|-------|-------|---------------|------|------|-------|-------------------|-------------------|-------|----------------|------|-------|
| SYCR3566.S | 7,700lb @ 51.2" (3,490kg @ 1,300mm) | 19.7"/51.2" | 43.3" | 41.0" | 47.2" x 11.0" | 7.9" | 8.7" | 12.0" | 2,347lb (1,065kg) | 2,314lb (1,050kg) | 18.3" | III/IV | 6.9" | 49.2" |
| SYCR3370.S* | 7,200lb @ 55.1" (3,270kg @ 1,400mm) | 9.8"/55.1" | 41.3" | 41.0" | 47.2" x 11.0" | 7.9" | 8.1" | 11.4" | 2,160lb (980kg) | 2,127lb (965kg) | 19.2" | III/IV | 6.9" | 49.2" |
| SYCR3371.S | 7,200lb @ 55.1" (3,270kg @ 1,400mm) | 19.7"/55.1" | 41.3" | 41.0" | 47.2" x 11.0" | 7.9" | 8.1" | 11.4" | 2,160lb (980kg) | 2,127lb (965kg) | 19.2" | III/IV | 6.9" | 49.2" |
| SYCR3375.S* | 7,200lb @ 59.0" (3,270kg @ 1,500mm) | 9.8"/59.1" | 43.3" | 41.0" | 47.2" x 11.0" | 7.9" | 8.5" | 12.6" | 2,380lb (1,080kg) | 2,347lb (1,065kg) | 19.2" | III/IV | 6.9" | 49.2" |
| SYCR3376.S | 7,200lb @ 59.0" (3,270kg @ 1,500mm) | 19.7"/59.1" | 43.3" | 41.0" | 47.2" x 11.0" | 7.9" | 8.5" | 12.6" | 2,380lb (1,080kg) | 2,347lb (1,065kg) | 19.5" | III/IV | 6.9" | 49.2" |
| SYCR3280.S* | 7,000lb @ 63.0" (3,180kg @ 1,600mm) | 9.8"/63.0" | 43.3" | 41.0" | 47.2" x 11.0" | 7.9" | 8.5" | 12.6" | 2,402lb (1,090kg) | 2,369lb (1,075kg) | 19.5" | III/IV | 6.9" | 49.2" |
| SYCR3281.S | 7,000lb @ 63.0" (3,180kg @ 1,600mm) | 19.7"/63.0" | 43.3" | 41.0" | 47.2" x 11.0" | 7.9" | 8.5" | 12.6" | 2,402lb (1,090kg) | 2,369lb (1,075kg) | 19.5" | III/IV | 6.9" | 49.2" |
| SYCR3090.S* | 6,600lb @ 72.0" (2,990kg @ 1,830mm) | 11.8"/72.0" | 43.3" | 41.0" | 47.2" x 11.0" | 7.9" | 8.7" | 14.6" | 2,402lb (1,090kg) | 2,369lb (1,075kg) | 19.7" | III/IV | 6.9" | 49.2" |
| SYCR3091.S | 6,600lb @ 72.0" (2,990kg @ 1,830mm) | 21.7"/72.0" | 43.3" | 41.0" | 47.2" x 11.0" | 7.9" | 8.7" | 14.6" | 2,402lb (1,090kg) | 2,369lb (1,075kg) | 19.7" | III/IV | 6.9" | 49.2" |
| SYCR3580.S* | 7,700lb @ 63.0" (3,490kg @ 1,600mm) | 9.8"/63.0" | 43.3" | 41.0" | 47.2" x 11.0" | 7.9" | 8.5" | 12.6" | 2,766lb (1,255kg) | 2,733lb (1,240kg) | 19.7" | IV | 6.9" | 49.2" |
| SYCR3581.S | 7,700lb @ 63.0" (3,490kg @ 1,600mm) | 19.7"/63.0" | 43.3" | 41.0" | 47.2" x 11.0" | 7.9" | 8.5" | 12.6" | 2,766lb (1,255kg) | 2,733lb (1,240kg) | 19.8" | IV | 6.9" | 49.2" |
| SYCR4565.S* | 9,900lb @ 51.2" (4,490kg @ 1,300mm) | 9.8"/51.2" | 43.3" | 41.0" | 47.2" x 11.0" | 7.9" | 8.7" | 12.6" | 2,843lb (1,290kg) | 2,810lb (1,275kg) | 20.1" | IV | 6.9" | 49.2" |
| SYCR4566.S | 9,900lb @ 51.2" (4,490kg @ 1,300mm) | 19.7"/51.2" | 43.3" | 41.0" | 47.2" x 11.0" | 7.9" | 8.7" | 12.6" | 2,843lb (1,290kg) | 2,810lb (1,275kg) | 20.1" | IV | 6.9" | 49.2" |
| SYCR4275.S* | 9,200lb @ 59.0" (4,170kg @ 1,500mm) | 9.8"/59.1" | 43.3" | 41.0" | 47.2" x 11.0" | 7.9" | 8.5" | 12.2" | 2,843lb (1,290kg) | 2,810lb (1,275kg) | 20.2" | IV | 6.9" | 49.2" |
| SYCR4276.S | 9,200lb @ 59.0" (4,170kg @ 1,500mm) | 19.7"/59.1" | 43.3" | 41.0" | 47.2" x 11.0" | 7.9" | 8.5" | 12.2" | 2,843lb (1,290kg) | 2,810lb (1,275kg) | 20.2" | IV | 6.9" | 49.2" |
| SYCR4080.S* | 8,800lb @ 63.0" (3,990kg @ 1,600mm) | 9.8"/63.0" | 43.3" | 41.0" | 47.2" x 11.0" | 7.9" | 8.5" | 12.2" | 2,876lb (1,305kg) | 2,843lb (1,290kg) | 20.4" | IV | 6.9" | 49.2" |
| SYCR4081.S | 8,800lb @ 63.0" (3,990kg @ 1,600mm) | 19.7"/63.0" | 43.3" | 41.0" | 47.2" x 11.0" | 7.9" | 8.5" | 12.2" | 2,876lb (1,305kg) | 2,843lb (1,290kg) | 20.4" | IV | 6.9" | 49.2" |
| SYCR3890.S* | 8,300lb @ 72.0" (3,760kg @ 1,830mm) | 21.7"/72.0" | 43.3" | 41.0" | 47.2" x 11.0" | 7.9" | 9.1" | 11.8" | 2,976lb (1,350kg) | 2,943lb (1,335kg) | 20.4" | IV | 6.9" | 49.2" |

AVAILABLE ON REQUEST

- Different contact pads
- Different pad covers (black rubber, yellow non-marking rubber, plain steel, etc)
- Models for tissue paper
- 180° rotation system

*Positionable short arm



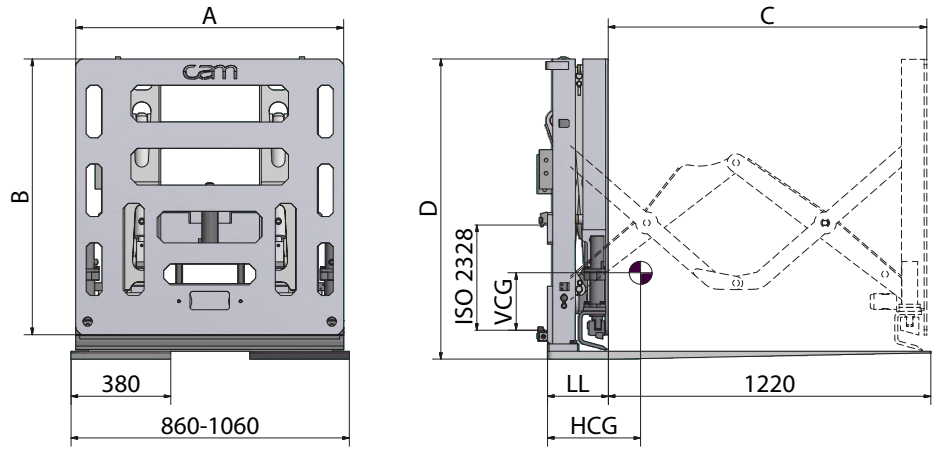
CHAPTER OVERVIEW

| | | | |
|------------|-------------------------|-------------|----|
| 7.1 | Push-pulls | <i>PP</i> | 57 |
| 7.2 | Push-pulls fork-mounted | <i>PP-I</i> | 58 |

7.1 PUSH-PULLS PP

TECHNICAL DETAILS:

- Maximum pressure 2,300 psi
- Recommended oil flow 7 gpm
- Hook-on model
- No sheet retainer
- 1 hydraulic function



| Model | Capacity 24" (600mm) Load Center | A | B | C | W Platen Size | D Outside Platen Spacing | VCG | LL | HCG | Weight | Mounting Class |
|-----------|--|-------|-------|-------|------------------|--------------------------------|------|------|------|-----------------|-------------------|
| SYPP1612 | 3,500lb (1,587kg) | 40.0" | 41.0" | 50.0" | 15.0" | 34.0" - 41.7" | 8.2" | 9.1" | 8.2" | 1,444lb (625kg) | II |
| SYPP2012 | 4,500lb (2,041kg) | 40.0" | 41.0" | 50.0" | 15.0" | 34.0" - 41.7" | 8.1" | 9.1" | 8.1" | 1,466lb (632kg) | II |
| SYPP1612A | 3,500lb (1,587kg) | 40.0" | 41.0" | 50.0" | 18.0" | 40.0" - 48.0" | 7.9" | 9.1" | 8.4" | 1,426lb (647kg) | II |
| SYPP2012A | 4,500lb (2,041kg) | 40.0" | 41.0" | 50.0" | 18.0" | 40.0" - 48.0" | 7.8" | 9.1" | 8.3" | 1,439lb (653kg) | II |

Options

Hook-on model separate sidershifter

TECHNICAL DETAILS:

- Maximum pressure 2,300 psi
- Recommended oil flow 7 gpm
- Hook-on model
- With sheet retainer
- 1 hydraulic function

| Model | Capacity 24" (600mm) Load Center | A | B | C | W Platen Size | D Outside Platen Spacing | VCG | LL | HCG | Weight | Mounting Class |
|------------|--|-------|-------|-------|------------------|--------------------------------|------|------|------|-----------------|-------------------|
| SYPP1612S | 3,500lb (1,587kg) | 40.0" | 41.0" | 50.0" | 15.0" | 34.0" - 41.7" | 8.5" | 9.1" | 8.3" | 1,499lb (670kg) | II |
| SYPP2012S | 4,500lb (2,041kg) | 40.0" | 41.0" | 50.0" | 15.0" | 34.0" - 41.7" | 8.6" | 9.1" | 8.1" | 1,521lb (671kg) | II |
| SYPP1612SA | 3,500lb (1,587kg) | 40.0" | 41.0" | 50.0" | 18.0" | 40.0" - 44.0" | 8.2" | 9.1" | 8.5" | 1,503lb (682kg) | II |
| SYPP2012SA | 4,500lb (2,041kg) | 40.0" | 41.0" | 50.0" | 18.0" | 40.0" - 44.0" | 8.1" | 9.1" | 8.2" | 1,527lb (693kg) | II |

Options

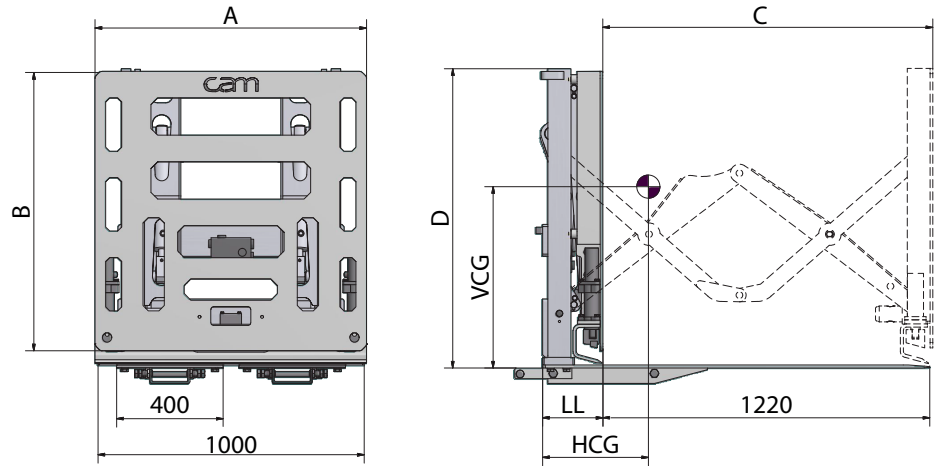
Hook-on model separate sidershifter

*When placing the order please inform us about the lift truck voltage

7.2 PUSH-PULLS FORK-MOUNTED PP-I

TECHNICAL DETAILS:

- Maximum pressure 2,300 psi
- Recommended oil flow 7 gpm
- Fork-mounted model
- No sheet retainer
- 1 hydraulic function



| Model | Capacity 24" (600mm) Load Center | A | B | C | W Platen Size | D Outside Platen Spacing | VCG | LL | HCG | Weight | Mounting Class |
|------------|--|-------|-------|-------|------------------|--------------------------------|-------|------|------|-----------------|-------------------|
| SYPP1612I | 3,500lb (1,587kg) | 40.0" | 41.0" | 50.0" | 15.0" | 34.0" - 41.7" | 11.5" | 9.1" | 8.8" | 1,267lb (575kg) | II |
| SYPP2012I | 4,500lb (2,041kg) | 40.0" | 41.0" | 50.0" | 15.0" | 34.0" - 41.7" | 11.3" | 9.1" | 8.6" | 1,276lb (579kg) | II |
| SYPP1612IA | 3,500lb (1,587kg) | 40.0" | 41.0" | 50.0" | 18.0" | 40.0" - 48.0" | 11.4" | 9.1" | 9.2" | 1,294lb (587kg) | II |
| SYPP2012IA | 4,500lb (2,041kg) | 40.0" | 41.0" | 50.0" | 18.0" | 40.0" - 48.0" | 11.3" | 9.1" | 9.3" | 1,302lb (591kg) | II |

AVAILABLE ON REQUEST

Standard slip on for fork sections 4.7" x 1.6" and 4.7" x 1.8"
Slip-on for different fork sections

TECHNICAL DETAILS:

- Fork-mounted model
- With sheet retainer
- 1 hydraulic function

| Model | Capacity 24" (600mm) Load Center | A | B | C | W Platen Size | D Outside Platen Spacing | VCG | LL | HCG | Weight | Mounting Class |
|-------------|--|-------|-------|-------|------------------|--------------------------------|-------|------|-------|-----------------|-------------------|
| SYPP1612IS | 3,500lb (1,587kg) | 40.0" | 41.0" | 50.0" | 15.0" | 34.0" - 41.7" | 12.6" | 9.1" | 10.2" | 1,375lb (624kg) | II |
| SYPP2012IS | 4,500lb (2,041kg) | 40.0" | 41.0" | 50.0" | 15.0" | 34.0" - 41.7" | 12.7" | 9.1" | 10.3" | 1,397lb (634kg) | II |
| SYPP1612ISA | 3,500lb (1,587kg) | 40.0" | 41.0" | 50.0" | 18.0" | 40.0" - 44.0" | 11.8" | 9.1" | 11.1" | 1,415lb (642kg) | II |
| SYPP2012ISA | 4,500lb (2,041kg) | 40.0" | 41.0" | 50.0" | 18.0" | 40.0" - 44.0" | 11.7" | 9.1" | 11.2" | 1,439lb (653kg) | II |

Options

Standard slip on for fork sections 4.7" x 1.6" and 4.7" x 1.8"

Slip-on for different fork sections on request

*When placing the order please inform us about the lift truck voltage

